

2/28/2003

**INSTALLATION, OPERATION
AND
MAINTENANCE MANUAL
FOR ROPER®
3800/4800 SERIES PUMPS
3858 AND 4858
TYPE 3**



**Roper Pump Company
PO Box 269
Commerce, Georgia 30529
USA**

**Telephone: (706) 335-5551
TeleFAX: (706) 335-5490
Email: sales@roperpump.com
Web: www.roperpumps.com**

©2003 Roper Pump Company

PART NO. G12-416

Section 1.0

TABLE OF CONTENTS

| Section | | Page |
|----------------|----------------------------|-------------|
| 1.1 | Nameplate Data | 1 - 1 |
| 1.2 | Maximum Pump Ratings | 1 - 2 |

1.1 NAMEPLATE DATA

Roper Pump Company identifies each pump manufactured by a metal nameplate attached to the pump. This nameplate describes the pump as built at the factory. Copy the nameplate data from your pump in the area provided below. Use this for ready reference when ordering repair parts or when consulting with Roper Pump Company or an authorized distributor about this pump.

FIGURE NUMBER: _____

SPEC NUMBER: _____

TYPE: _____

SERIAL NUMBER: _____

PUMP NOMENCLATURE

**Example: 3858F, RV LW SPEC XXX
TYPE 3 SERIAL NO. ZZZ**

1. The FIGURE number consists of a seven digit number.
 - The first digit (3) indicates the port arrangement.
3 – 3800 Series with right angle ports
4 – 4800 Series with through ports
 - The second digit (8) indicates the pump series.
 - The third and fourth digits (48) indicates the approximate theoretical displacement in U.S. gallons per 100 revolutions.
Gallons [Liters]/100 Rev.
58 [219.6]
 - The letter (F) indicates port style.
F – Pump with Roper standard flange ports
No Letter – indicates threaded ports.
 - The last letters usually indicate the rotation and port configuration.

Rotation and port configuration is viewed from the drive end of the pump.

W – Clockwise rotation, inlet on left, high drive.

Z – Counter-clockwise rotation, inlet on right, high drive.

X – Counter-clockwise rotation, discharge on left, high drive.

Y – Clockwise rotation, discharge on right, high drive.

LW – Clockwise rotation, discharge on left, low drive.

LZ – Counter-clockwise rotation, discharge on right, low drive.

LX – Counter-clockwise rotation, inlet on left, low drive.

LY – Clockwise rotation, inlet on right, low drive.

2. Occasionally, special pumps or configurations are required which are unique for a particular application. These modifications are clarified by a SPECification number. Identification of any items different than a standard pump can be made by consulting Roper Pump Company or an authorized distributor.
3. The TYPE number is a number used by Roper Pump Company for in-house identification of construction and hydraulics. Always include the type number in any references to the pump.
4. The SERIAL number is a unique number assigned to each pump built by Roper Pump Company.

In any communication concerning this pump, always be sure to include the Figure, Spec, Type, and Serial numbers so proper identification of the pump can be assured.

1.2 MAXIMUM PUMP RATINGS

The maximum pressure and speed limits for this pump SERIES are shown below.

The maximum rating of a pump with a SPEC number may be lower depending on the materials of construction.

Maximum limits for this SERIES:

125 psi [862 kPa] Maximum Inlet Pressure

125 psi [862 kPa] Maximum Discharge Pressure

124 psi [855 kPa] Maximum Differential Pressure

900 rpm Maximum Speed

Maximum Temperature Limits for standard pumps (no spec number) are:

250°F [121°C]

Section 2.0

TABLE OF CONTENTS

| Section | | Page |
|----------------|--|-------------|
| 2. 1 | Introduction | 2 - 1 |
| 2. 2 | Safety Precautions | 2 - 2 |
| 2. 3 | Preoperation Checks..... | 2 - 3 |
| 2. 4 | Preparation of Foundation..... | 2 - 4 |
| 2. 5 | Aligning Driver and Pump..... | 2 - 5 |
| 2. 6 | Additional Important Warnings and Information..... | 2 - 9 |
| 2. 7 | Installation of Pipes..... | 2 - 10 |
| 2. 8 | Threaded Port Connections..... | 2 - 11 |
| 2. 9 | Checking Pump Performance..... | 2 - 12 |
| 2. 10 | Replacement Parts..... | 2 - 13 |
| 2. 11 | Index | 2 - 14 |

2.1 INTRODUCTION

! IMPORTANT

THIS MANUAL MUST ACCOMPANY THE PUMP UPON ALL TRANSFERALS. MAKE SURE THE OPERATOR OF THE EQUIPMENT HAS READ AND UNDERSTANDS THIS MANUAL BEFORE OPERATING THE PUMP OR ANY RELATED EQUIPMENT.

When properly selected, installed, operated, and maintained, ROPER® pumps will provide long, dependable service. Remember, faulty selection and installation form the basis of more pump troubles than all other causes combined. No amount of maintenance can compensate for selection and installation mistakes. Read this manual carefully and understand it totally before installing or operating the pump which it accompanies.

This pump is satisfactory for its rated conditions. Its operation beyond these conditions may subject it to stresses and strains that it is not designed to withstand.

Install ample coupling or belt guards for the protection of personnel.

This manual will cover standard pumps and most SPECification number pumps. Appearance may vary among pumps and construction may vary on spec. number pumps. Specification numbers are assigned to pumps with other than standard features. Roper Pump Company produces specific manuals for most standard line pump models. Contact Roper Pump Company to find out if the pump model you have has a specific manual and to request a copy.

If there is any question concerning the ratings, instructions, or compatibility of the pump with the pumped liquid, consult an authorized distributor or:

Roper Pump Company
PO Box 269
Commerce, Georgia 30529 USA
Telephone: (706) 335-5551
TeleFAX: (706) 335-5490
Email: sales@roperpump.com
Web: www.roperpumps.com

! IMPORTANT

Read the following before starting the pump! Failure to heed these warnings may result in an accident causing physical damage, serious personal injury, or death!

- Read and understand all tags and installation and operating instructions.
- **WARNING!** Install proper guard(s). **DO NOT** operate pump without guard(s) installed, always use caution near rotating parts including the drive system for the pump. Serious injuries and death have occurred from becoming entangled in rotating shafts.
- **WARNING! DO NOT** operate this equipment in excess of its rated capacity, pressure, speed, and temperature, or other than according to the instructions contained in this manual.
- **WARNING!** Install and properly set devices into the system to prevent the chance of too much pressure, high temperature, and driver overload. The pump is not provided with these devices.
- **WARNING!** Proper measures and safeguards must be taken to avoid spillage and overflow from overfilling or putting too much pressure on any component of the system. This includes the receiver and lines.
- Know the operating conditions.
- Open all lines before starting pump.

This manual contains general information concerning the use, inspection, adjustment, and test of the pump furnished. For certain applications and installations, other precautions and safety measures may be appropriate and are the responsibility of the product installer and user. Users of this pump must have ample knowledge and training to apply sound safety and operating practices that may not be mentioned in the manual, and the sale of this pump is in reliance on such user knowledge and training

2.2 SAFETY PRECAUTIONS

WHEN LIQUID BEING PUMPED IS HAZARDOUS OR VOLATILE, ALWAYS TAKE FULL PRECAUTIONS. THIS INCLUDES THE RUN-IN PERIOD AND DURING DISASSEMBLY AND ASSEMBLY OF PUMP.

Controls, guards, walkways, machine arrangement, crew training, etc., are all necessary factors in the creation of a safe, practical installation and are generally not a part of our services. It is the responsibility of the contractor, installer, owner, and user to add to the materials furnished by Roper Pump Company to result in a safe installation and to comply with OSHA, state and local laws, and the ANSI/NFPA Life Safety Code.

There are many kinds of devices for pumps and systems such that if one component in a system is stopped, other equipment feeding or following it also can be automatically stopped. Serious thought should be given to the installation of these types of devices in every pump system.

- **DO NOT** attempt to install, operate, or perform maintenance on this equipment without first reading and understanding the material in this manual. Also, read and understand all tags and any other documentation accompanying the pump.
- **DO NOT** operate this equipment in excess of its rated capacity, pressure, speed, and temperature, or other than according to the instructions contained in this manual.
- **DO NOT** continue to operate this equipment if there is a failure of any part of the equipment or system. Correct the failure before operating the equipment.
- **DO NOT** bypass safety controls or guards. Their purpose is to protect and they must be in proper working order.
- **DO NOT** operate equipment without proper guards in place.
- **DO NOT** walk, stand, sit, or lean on guards.
- **DO NOT** work on a pump while it is operating or if there is a chance of the driver becoming energized except to adjust the relief valve.
- **DO NOT** adjust packing while the pump is operating or if there is a chance of the driver becoming energized.
- **DO NOT** adjust the integral relief valve without coupling guards in place.
- **DO NOT** place hands, feet, head, or any other part of your body in any pump opening while the pump can be operated.
- **DO NOT** poke or prod material in the pump.
- **DO NOT** start to disassemble the pump if there is the slightest chance of it becoming energized by accident. Lock out the energy source to the driver and disconnect the coupling before performing maintenance to the equipment.
- **DO NOT** wear loose or dangling clothing or jewelry near the equipment. It could become caught and possibly cause serious injury or death.
- **DO NOT** use metallic or hard faced striking tools when the need for tapping parts into position arises. Hard faced striking tools may damage parts or they may fracture or chip and send particles flying that could cause possible injury.
- **DO NOT** allow spills to remain in the work area. Clean up spills immediately. Oils, greases, and other fluids used in the equipment may create hazards if not cleaned up immediately after a spill.
- **DO NOT** spin bearings with compressed air. This is highly dangerous and can cause the bearing to fragment with explosive force, possibly causing serious injury or death.
- **DO NOT** attempt to install, use, or repair this equipment while under the influence of any substance that may impair physical or mental abilities. This includes, but is not limited to, alcohol and prescription and nonprescription drugs.

- **DO NOT** dispose of fluoroelastomers by burning. Toxic vapors are released by this compound upon combustion.
- **DO NOT** suspend pumps from the ports unless they have been specifically designed for this type of mounting.

-
- **DO** completely read and understand the information contained in this manual. *The operator of the equipment must be familiar with these instructions.*
 - **DO** stop the pump in a manner that there is no chance of the driver becoming energized while any kind of work is being performed on the pump or system.
 - **DO** always keep safety in mind.
 - **DO** know the operating conditions of the equipment.
 - **DO** take proper measures and precautions to avoid spillage and overflow from overfilling or putting too much pressure on any component of the system.
 - **DO** identify all possible hazards and decide what controls are needed. Remember, only you understand your product and system characteristics fully. *The ultimate responsibility for the application and safety is with you.*
 - **DO** install and properly set devices into the system to prevent the chance of dry operation, overpressure, excessive temperature, and driver overload.
 - **DO** provide guards for all exposed rotating parts, including all parts of the drive system, to prevent possible injury.
 - **DO** be careful when working near an operating pump. Contacting or getting caught in rotating parts may cause serious or fatal injury.
 - **DO** keep equipment in good working order, especially safety devices and guards.
 - **DO** be aware of your location relative to the equipment.

- **DO** wear proper clothing near the equipment. Safety glasses or goggles, and safety shoes are recommended. They will help reduce the chance of injury.
- **DO** use soft faced striking tools when the need for tapping parts into position arises. Rubber or plastic faced striking tools are recommended.
- **DO** practice good housekeeping. Clean up spills immediately. Keep the work area clean to avoid hazards. Always be sure of your footing around the equipment to avoid a possible fall and injury.
- **DO** use proper tools. Avoid *cheater* bars as they are a source for serious injury should they slip or break.
- **DO** mount pumps in the manner they were designed to be mounted.

2.3 PREOPERATION CHECKS

Read and understand the instructions and recommendations contained in this manual.

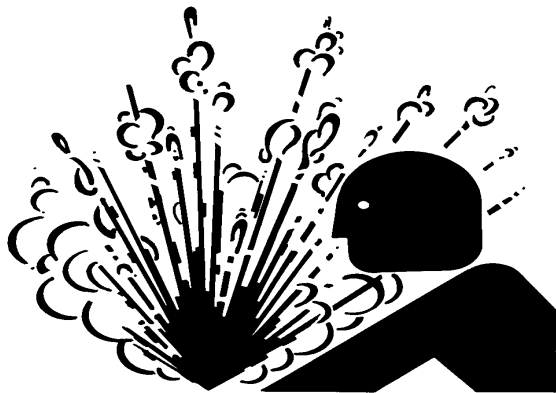
Disconnect the coupling between the driver and pump.

Test the rotation of the driver to make sure it will operate the pump in the desired direction of rotation. Rotation is shown on the pump in relation to the integral relief valve. When an integral relief valve is used, make sure it is positioned and adjusted as discussed in the section titled, **DIRECTION OF ROTATION AND RELIEF VALVES**. After the unit is mounted and the piping is connected, the pump should be checked to be sure it operates freely without binding. After operation is proved satisfactory, both pump and driver should be tightly secured and the alignment rechecked before operation. Before starting, make sure all guards are in place and the inlet and discharge valves are opened. After starting the unit, check to see that the pump is delivering liquid. If not, stop the driver immediately and refer to Section 2.9, **CHECKING PUMP PERFORMANCE**. After the pump is delivering liquid, check the unit for excessive vibration, localized heating,

and excessive shaft seal leakage. Check the pressure or vacuum by installing gauges at both the inlet and discharge sides of the pump to make sure the pressure or vacuum conform to specifications.



If there is no pressure relief device in the system, **NEVER** block the discharge line. If there is a relief valve in the system, **NEVER** block the discharge line between the relief valve and pump. High pressure will occur, resulting in possible damage or breakage to the pump or system parts and possible injury to personnel. **DO NOT** operate the pump for more than one minute with the discharge line blocked downstream of the relief valve. Rapid heating and possible damage will occur. Even an open discharge line does not prevent the possibility of high pressure. Discharge line length, diameter, and arrangement along with fluid viscosity and velocity also can create a high pressure situation at the pump.



WARNING! DO NOT overpressurize pump or system.

2.4 PREPARATION OF FOUNDATION

Locate the pump so that it is as low and as close to the fluid source as practical and so that piping to and from the pump will be as short and simple as practical. The pump and its driver must be accessible for inspection and maintenance. Accessibility to the unit and adequate clearance should be a major thought in any installation. The driver must be suitable for the environment (for example; open, splash proof, totally enclosed, or explosion proof electric motor). If the driver is not suitable, choose a different location or obtain another driver.

For best pump-driver unit life, mount each unit on a strong, fabricated, structural steel baseplate with a proper foundation. A good foundation is of major importance to the total installation. A thick, heavy concrete foundation is best since it is heavy enough to support the baseplate rigidly and absorb strain and shock. Locate anchor bolts for the baseplate in the foundation. Use a pipe sleeve, two to three times as large as the anchor bolts, around the anchor bolts to allow some lateral bolt movement during final positioning of the unit.

Place the unit, with the pump and driver mounted on the baseplate, on the foundation and disconnect the coupling (flexible coupling, belts, and sheaves, etc.). **DO NOT** reconnect the coupling unit until all alignment operations are complete. Support the baseplate on rectangular metal blocks and shims or on metal wedges having a small taper. Place the support pieces close to the anchor bolts and directly under the part of the baseplate carrying the greatest weight. Space the support pieces close enough to give uniform support. Allow a gap of about 3/4 inch [19 mm] to 1-1/2 inches [38mm] between the foundation and baseplate for grouting. Refer to Fig. 2.4.1.

Adjust the metal supports or wedges until the shafts of the pump and driver are level. At this time, check the faces of the inlet and discharge connections of the pump for horizontal or vertical position using a level.

Correct the positions, if necessary, by adjusting the supports or wedges under the baseplate as required.

For maximum rigidity and lower noise levels, grout the baseplate to the foundation. Use a good grade of nonshrink grout. When all alignments are correct (refer to Section 2.5, **ALIGNING DRIVER AND PUMP**), tighten the anchor bolts evenly but not too firmly. Then grout the unit to the foundation. Completely fill the baseplate with grout. It is desirable to grout the leveling pieces, shims, or wedges in place. Fill the spaces between the anchor bolts and sleeves with grout, also. Allow the grout to dry according to the manufacturer's instructions. **DO NOT** fully tighten the anchor bolts until the grout has hardened.

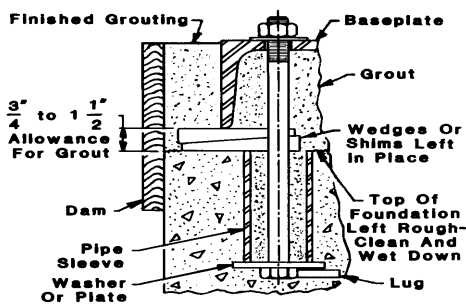


Fig. 2.4.1: Typical Baseplate Anchoring

After the grout has hardened and the anchor bolts have been properly tightened, check the unit for parallel and angular misalignment, and if necessary, take corrective measures. After the piping to the unit has been connected, check the alignment again.

NOTE: Attempts to correct alignment in one direction may alter the alignment in the other direction. Therefore, it is necessary to check alignment in all directions after making any adjustments.

Schedule semiannual inspections and checks of the foundation anchor bolts as part of a preventive maintenance program. If loose foundation bolts are found, tighten them and check the unit alignment.

Normal mounting for this pump is horizontal with the pump above the baseplate, properly grouted to a concrete foundation placed in or on solid earth. Mountings other than described above (such as vertical mounting, wall mounting, ceiling mounting, etc.) may require special components and precautions. Extra pump supports, special drivers, and extra anchor bolts may be necessary in unusual mountings. If your application requires other than normal mounting, as described above, you are urged to consult Roper Pump Company for assistance in determining any special needs that may be required.

2.5 ALIGNING DRIVER AND PUMP

The flexible coupling or belts and sheaves must be accurately realigned during and after installation. Refer to the flexible coupling or belt and sheave manufacturer's recommendations and instructions for the requirements for proper alignment. Also refer to Section 2.4, **PREPARATION OF FOUNDATION**, for additional information.

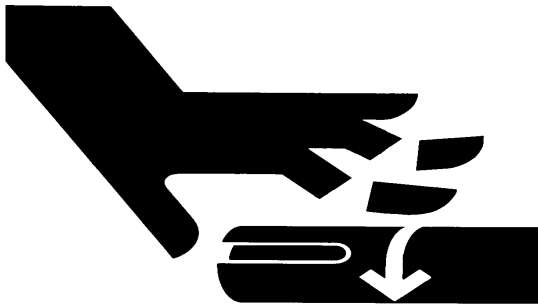
FLEXIBLE COUPLING

DO NOT use a flexible coupling to compensate for misalignment of the driver and pump shafts. The purpose of the flexible coupling is to compensate for temperature changes and to permit end movement of the shafts without interference with each other while transmitting power from the driver to the pump.

The faces of the coupling halves should be spaced far enough apart so that they cannot strike each other when the driver rotor is moved hard over toward the pump. The necessary tools for *approximate* checking of the alignment of a flexible coupling are a straight edge and a taper gauge or a set of feeler gauges.

DANGER

Make sure there is no chance of the driver becoming energized while aligning driver and pump. Getting caught in rotating parts of the drive system will cause serious personal injury or death. DO NOT start or operate pump without guards in place.



WARNING! DO NOT operate without guards in place.

There are two forms of misalignment between the driver shaft and the pump shaft. The first is angular misalignment, where the axes of the shafts are concentric but not parallel. The other is parallel misalignment, where the axes of the shafts are parallel but not concentric. Refer to Fig. 2.5.1.

Make the check for angular alignment by inserting the taper gauge or feeler gauges between the coupling faces and comparing the distance between the faces at four points spaced at 90° intervals around the coupling. The unit will be in angular alignment when the measurements show that the coupling faces are the same distance apart at all points.

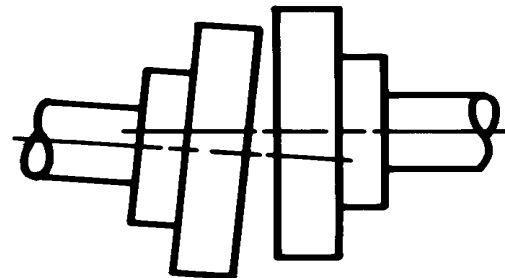
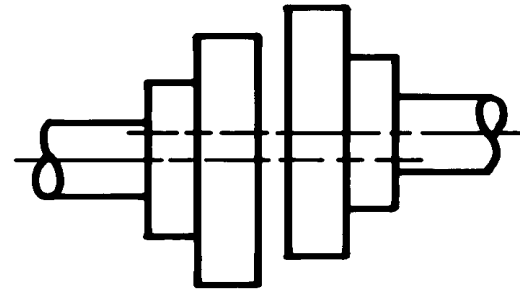
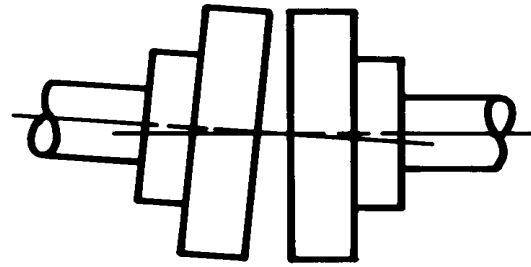


Fig. 2.5.1 Misalignments: Top, Angular; Center, Parallel; Bottom, Both.

Make the check for parallel alignment by placing a straight edge across both coupling halves at the top, bottom, and at both sides. The unit will be in parallel alignment when the straight edge rests evenly on the coupling halves at all positions. Allowance may be necessary for temperature changes and for coupling halves that DO NOT have the same outside diameter. Take care to have the straight edge parallel to the axes of the shafts.

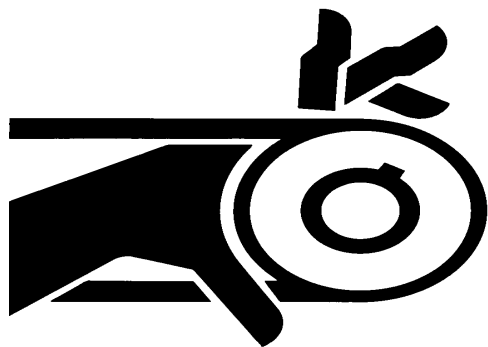
Correct angular and parallel misalignment by placing shims under the mounting feet of the equipment. After each change, it is necessary to recheck the alignment of the coupling halves. Adjustment in one direction may disturb adjustments already made in another direction.

BELTS AND SHEAVES

Some applications on gear pumps involving low discharge pressure and slow speeds may permit the mounting of the driven sheave directly on the pump shaft. However, it is recommended that all belt drive assemblies be designed with a separate jackshaft mounted on pillow blocks to carry the side loads of the sheaves and belts and a flexible coupling connecting the jackshaft to the pump shaft.



Make sure there is no chance of the driver becoming energized while aligning and adjusting the belts. Getting caught in rotating parts of the drive system will cause serious personal injury or death. DO NOT start or operate pump without guards in place.



WARNING! DO NOT operate without guards in place.

The driver and pump shafts must be parallel, and the belts at right angles to these shafts.

Misalignment will cause undue belt wear, or turn-over in the grooves. Approximate alignment should be checked by placing a long straight edge evenly across the rims of both sheaves. If the faces of the sheaves are not of equal width, the alignment may be checked by resting the straight edge across the rim of the widest sheave and measuring the distance from the straight edge to the nearest belt groove with a scale. Adjust either sheave on the shaft to equalize these dimensions.

The driver should be mounted with adequate provision for belt center distance adjustment. Provide a minus adjustment to permit belt installation without stretching and a plus allowance to provide belt take-up.

DO NOT pry, twist, or force the belts over the sheave grooves. This will damage the belts and greatly reduce the belt life. Shorten the drive by moving the driver enough to permit fitting the belts in the proper grooves. When the belts are in place, increase the center distance until proper belt tension is obtained. Adjust take-up until only a slight bow appears on the slack side of the drive when it is operating. All the belts must be pulling evenly. Belt tension should be reasonable. It is not necessary to have belts excessively tight.

During the first few days of operation, the belts will seat themselves in the sheave grooves. After that, the drive must be adjusted to take up the slack. Slipping belts will result in lowered capacity. Squealing or smoking belts are sometimes a clue to the slipping of belts.

Keep belts clean and free from oil. Stop drive to clean belts. **DO NOT** attempt to clean belts while the drive is operating. Clean oily belts with a cloth dampened with soap and water. Never install new belts on the same drive with used belts. **DO NOT** use sheaves with chipped or worn grooves. For hazardous locations, check to see if an antistatic belt should be used. When purchasing replacement belts, the same size and type should be ordered as furnished originally.

POWER TAKE-OFF DRIVE SYSTEMS

When mounting a pump on a vehicle with a PTO drive, always check with the manufacturer of the PTO equipment to determine the alignment required for proper operation of the PTO. The mount for the pump must be rigid. The pump must be mounted the way it was designed to be mounted. Pumps with feet must be mounted by the feet. **DO NOT** use the pump ports to mount a pump that has feet. It is acceptable to mount a foot mounted pump in the three, nine, or twelve o'clock position as well as the standard six o'clock position as long as proper shaft alignment is maintained.



Make sure there is no chance of the driver becoming energized while aligning the power take-off shafting. Getting caught in a power take-off drive system will cause serious injury or death. Proper guarding must be provided for all power take-off drive systems.



WARNING! DO NOT operate without guards in place.

Serious injuries and deaths have resulted from persons becoming caught in power take-off (PTO) drive systems. Loose or dangling clothing and slippery or unsure footing are factors in many PTO accidents. **DO NOT** work on or adjust a pump driven by a PTO drive system while it is operating or has a chance of the driver becoming energized except as specified in the section titled, **DIRECTION OF ROTATION and RELIEF VALVES.**

Unless properly designed, guarded, and maintained, all drive systems are dangerous.

- **DO** be careful near rotating PTO drive systems. Contacting a PTO drive system may cause serious injury or death.
- **DO** install and maintain proper guard(s) for PTO drive systems.
- **DO NOT** operate PTO drive systems without proper guards in place.
- **DO NOT** work on or adjust a pump driven by a PTO drive system while it is operating or has a chance of the driver becoming energized except as specified in the section titled, **DIRECTION OF ROTATION AND RELIEF VALVES.**
- **DO NOT** work on a PTO drive system while it may become energized.
- **DO NOT** wear loose or dangling clothing or jewelry near the equipment. It could become caught and possible cause serious injury or death.

GUARDING PTO DRIVE SHAFTS

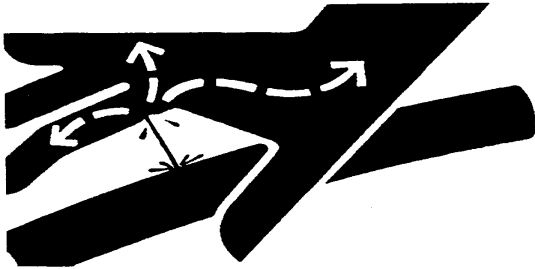
PTO drive systems can be dangerous and when used, additional safety precautions, including guarding, may be required and must be provided by the drive system installer. Roper Pump Company has no responsibility for recommending or providing proper guarding or other safety measures in any particular application.

The installation of proper guards for the power take-off and its associated equipment is the responsibility of the drive system designer and the installer who know the particular product application and the user's exposure to danger. *The ultimate responsibility for the safe application and installation is the user's.*

SPECIAL PRECAUTIONS FOR HYDRAULIC DRIVES

Avoid contact with high pressure fluids. Check all hydraulic hoses.

Hydraulic hoses can fail due to physical damage, kinks, age, and exposure. Check hoses regularly. Replace damaged hoses.



WARNING! AVOID CONTACT with high pressure fluids.

WARNING

Escaping fluid under pressure can penetrate the skin causing serious injury. Avoid the hazard by relieving pressure before disconnecting hydraulic or other lines. Tighten all connections before applying pressure. Search for leaks with a piece of cardboard. Protect hands and body from high pressure fluids.

If an accident occurs, see a doctor immediately. Any fluid injected into the skin must be surgically removed within a few hours or gangrene may result. Doctors unfamiliar with this type injury should reference a knowledgeable source.

WARNING

An overload or kickdown valve in a hydraulic drive system is **NOT** a safe substitute for a pressure relief valve correctly installed in the pump piping system.

2.6 ADDITIONAL IMPORTANT WARNINGS AND INFORMATION

- *This manual contains general information concerning the use, inspection, adjustment, testing, and safety considerations of the pump furnished. Other precautions and safety measures may be appropriate depending on the particular application and installation and are the responsibility of the product installer and user. Installers and users of this pump must have sufficient knowledge and training to apply sound safety and operating practices that may not be mentioned in the manual, and the sale of this pump is in reliance on such installer and user knowledge and training.*
 - ROPER® pumps are general purpose pumps for a wide range of uses; yet, *they are not designed nor intended for use with every known substance.* Maximum ratings are shown in the section titled, **MAXIMUM PUMP RATINGS.** ROPER® sales brochures contain standard ratings. Ratings for SPECification number pumps or standard pumps may be obtained by contacting Roper Pump Company or an authorized distributor.
 - Review this manual to determine the proper union of the pump into the total plant or system operating programs.
 - *Roper Pump Company does not supply, recommend, or approve the systems in which its pumps are or may be used.* Unless designed, built, and used properly, systems may be unsafe or dangerous. Installers and users should check and comply with all applicable federal, state, local, and other regulations and recommendations such as: NFPA, UL, OSHA, API, etc.
- In particular, installers and users must check the pumped liquid properties and take proper precautions. Among other things, consider the following:
- Decide the results of spillage or leakage (all pumps or systems may fail sometime).

- Explosion
- Corrosion
- Chemical Burns
- High Pressure Spray
- Toxic Exposure
- Fire
- Exposure to Extreme Temperatures
- Environmental Impact
- System Impact
- Other
- Are proper safeguards being used?
 - Temperature Controls
 - Pressure Controls
 - Leak Detectors
 - Shutoff Devices
 - High or Low Pressure Safeguards
 - Alarm Devices
 - Overfill or Overflow Detection
 - Driver Overload Controls
 - Consider all possible methods and series of failure.
 - Are any other methods needed to control a hazard?
 - Regular scheduled inspection for the wear and tear of parts.
- Identify all possible hazards. Decide upon and install the required controls. Only the installer and user can fully understand the product and system characteristics. *The ultimate responsibility for the safety of the application and the system characteristics is with the installer and user.*
- Particularly note the chance of fire and burns from flammable or hot liquid spillage from burst hoses and take proper precautions.
- Properly guard all exposed rotating parts of the drive to the pump.

- Install a pressure relieving device in the system discharge piping to protect the equipment and crew from accident due to too much pressure. **NEVER** place a shutoff valve between the pump and system relief valve. Read Section 2.3, **PREOPERATION CHECKS.**
- Spillage or overflow, from overfilling or putting too much pressure on any component of a system incorporating this pump, may result in an accident. Proper measures and precautions must be taken to avoid spillage or overflow from overfilling or putting too much pressure on any component of the system. This includes the receiver and lines.

Prior to starting pump, read sections on **PREPARATION OF FOUNDATION; ALIGNING DRIVER AND PUMP; INSTALLATION OF PIPES; THREADED PORT CONNECTIONS;** and **PREOPERATION CHECKS.**

2.7 INSTALLATION OF PIPES

- **DO NOT** connect raised face flanges to the ports of a cast iron pump.
- **DO** use flat-faced flanges with cast iron pumps.

Piping must be installed and checked carefully. Allow for any expansion or contraction.

Any external force or moment (torque or twist) applied on the pump ports by the piping will cause stresses in the pump and its foundation. This may cause misalignment that could result in hot bearings, worn couplings, or excessive vibration. Such forces or moments may be caused by improperly aligned piping or by thermal expansion of the piping when pumping hot or cold fluids. The piping should be supported independently. Use flexible piping connectors and insure that they are properly anchored.

If an expansion joint is installed in the piping between the pump and the nearest point of anchor in the piping, a force equal to the area of the expansion joint (which may be considerably larger than the normal pipe size) times the pressure in the pipe will be transmitted directly to the pump. Pipe couplings that **DO NOT** provide an axially rigid connection have the same effect. This reaction force can be so large that it would be impractical to design suitable components to withstand the force. If an expansion joint or nonrigid coupling is used, install a pipe anchor between it and the pump. If properly installed, this will eliminate the forces mentioned above.

The pump port size does not necessarily establish the correct pipe size. Piping must be sized and arranged to provide ample inlet pressure at the pump and to insure that the discharge pressure will be at least as low as the rated pressure of the pump. If the fluid to be pumped is viscous, or the piping long, or the suction lift or static discharge head somewhat high, piping one or two sizes larger may be required. Friction losses should be carefully calculated (see Hydraulic Institute Engineering Data Book or similar authority for friction loss data) and compared to the pump ratings before the installation is made. Where valves are used in the piping system, gate, ball, or butterfly valves are preferable to globe or angle valves. 90° long radius elbows or 45° elbows are preferable to standard short radius elbows. **NEVER** place a valve between the pump and system relief valve.

2.8 THREADED PORT CONNECTIONS

American National Standard Taper Pipe Threads (NPT) are standard for pipe plugs and threaded ports of the pump ports. British Standard Pipe Threads (BSP) are available on request for most sizes.

To produce a pressure tight joint, a thread sealant must be used. TFE tape is generally not recommended where cast iron is used as one or more parts of the joint. The use of TFE

tape for installing cast iron fillings may cause damage to the pump or fittings.

The following is a partial list of sealants that may be used when making up joints on the pump:

- PST Pipe Sealant No. 567 – Loctite Corp.
- Rectorseal No. 5 – The Rectorseal Corp.
- Leak Lock – Highside Chemical, Inc.

Follow the sealant manufacturer's instructions when making up a joint.

2.9 CHECKING PUMP PERFORMANCE

A summary of the causes of common malfunctions.

| PROBLEM | POSSIBLE CAUSES |
|--------------------------------------|--|
| NO LIQUID DELIVERED | Pump rotating in wrong direction. |
| | Pump not primed. |
| | Inlet lift too high. Check this with gauge at pump inlet. |
| | Clogged inlet line. |
| | Inlet pipe not submerged. |
| | Air leaks in inlet line. |
| | Faulty pressure relief device in system. |
| | Pump Worn. |
| RAPID WEAR | Excessive pressure. |
| | Nonlubricating liquid. |
| | Pump runs dry. |
| | Incompatibility of liquid and pump materials. |
| | Pipe strain on pump. See Section 2.7, Installation of Pipes. |
| | Excessive abrasives in liquid. |
| EXCESSIVE NOISE | Starved Pump. |
| | Air leaks in inlet line. |
| | Air or gases in liquid. |
| | Pump speed too high. |
| | Relief valve chatter. Check pressure setting. |
| | Improper mounting. Check alignment thoroughly. See Section 2.4, Aligning Driver and Pump and Section 2.5, Preparation of Foundation. |
| PUMP TAKES TOO MUCH POWER | Speed too high. |
| | Liquid more viscous than previously anticipated. |
| | Operating pressure higher than specified. Check this with gauge at pump discharge. |
| | Discharge line obstructed. |
| | Mechanical defect, such as bent shaft. |
| | Pipe strain on pump. See Section 2.7, Installation of Pipes. |
| | Pressure relief device not operating properly. |
| INSUFFICIENT LIQUID DELIVERED | Air leaks in inlet line. |
| | Air leaks through mechanical seal. |
| | Speed too slow. |
| | Excessive lift at inlet. Check this with gauge at pump inlet. |
| | Viscosity of liquid too high for size and length of inlet pipe. |
| | Foot valve, if used, too small, stuck, or not working properly. |
| | Foot valve or end of inlet pipe not immersed deeply enough in liquid. |
| | Excessive clearance in pump caused by wear or corrosion. Faulty pressure relief device. |

2.10 REPLACEMENT PARTS

Repair parts can be ordered from your nearest authorized distributor. For the location of a distributor near you, contact Roper Pump Company. **DO NOT** order repair parts by their key number. Order by ROPER[®] part number only and include the nameplate data for aid in identification. Repair parts lists depicting ROPER[®] part numbers are available for most pumps.

- *Roper Pump Company assumes no responsibility for parts other than those supplied by Roper Pump Company. The use of substitutes may result in poor performance or in an accident causing physical damage or injury to personnel.*
- **WARNING!** Only use genuine ROPER[®] gaskets. Gasket thickness determines proper clearances. Always check quantity of gaskets removed and replace with exact quantity. Proper material must be used based on application.

SERVICE NOTES

2.11 INDEX

A

Aligning Shafts

- Belts and Sheaves, 2 - 7
- Flexible Coupling, 2 - 5 through 2 - 7
- Power Take-Off, 2 - 8
- Pump and Driver, 2 - 5 through 2 - 8

F

- Foundation, 2 - 4 through 2 - 5

G

- Guarding Power Take-Off Shafts, 2 - 8

I

- Installation of Pipes, 2 - 10 through 2 - 11

P

- Pipe Installation, 2 - 10 through 2 - 11
- Pipe Threads - Threaded Port Connections, 2 - 11
- Preoperation Checks, 2 - 3 through 2 - 4
- Problems and Causes, 2 - 12

R

- Replacement Parts, 2 - 13

S

- Safety Precautions, 2 - 2 through 2 - 3, 2 - 9 through 2 - 10

T

- Threaded Port Connections, 2 - 11

Section 3.0

TABLE OF CONTENTS

| Section | | Page |
|----------------|--|-------------|
| 3.1 | Safety Signal Words and Symbols..... | 3 - 1 |
| 3.2 | Recommended Tool List..... | 3 - 1 |
| 3.3 | Truck Mounting..... | 3 - 1 |
| 3.4 | Direction of Rotation..... | 3 - 2 |
| 3.5 | High Drive to Low Drive..... | 3 - 3 |
| 3.6 | Instructions for Draining Pump..... | 3 - 6 |
| 3.7 | Instructions for Pump Disassembly..... | 3 - 7 |
| 3.8 | Dimensional Data for Internal Parts..... | 3 - 8 |
| 3.9 | Instructions for Pump Assembly..... | 3 - 8 |
| 3.10 | Pump Sectional Drawing..... | 3 - 11 |
| 3.11 | Parts List..... | 3 - 12 |
| 3.12 | Common Maintenance Questions..... | 3 - 13 |
| 3.13 | Index..... | 3 - 15 |

3.1 SAFETY SIGNAL WORDS AND SYMBOLS

SAFETY SIGNAL WORDS

The safety signal words **CAUTION!**, **WARNING!**, **DANGER!**, and **TOXIC!** Have specific meanings in this manual.

CAUTION! Is used to identify hazards that may cause damage to property or equipment.

WARNING! Is used to identify hazards that may cause personal injury.

DANGER! Identifies the most serious hazards. **DANGER!** Is used to identify hazards that will cause personal injury or death.

TOXIC! Identifies hazards that involve materials that may cause death by contact, ingestion, or inhalation. **TOXIC!** Will always be used with the safety signal word **DANGER!**

3.2 RECOMMENDED TOOL LIST

NOTE: Tools not furnished with pump.

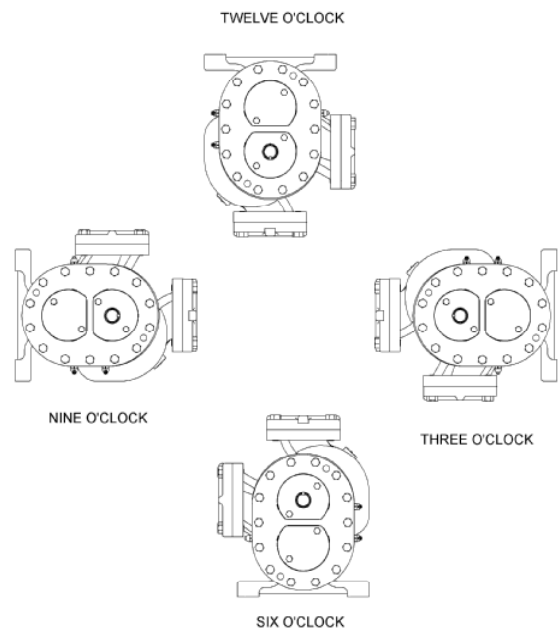
Tools for all Pumps:

- (1) Safety Glasses
- (1) Rubber Mallet
- (1) 9/16" Combination Wrench
- (1) 3/4" Combination Wrench
- (1) 1/8" Hex Key
- (1) Flat Tip Screwdriver, 1/4" wide x 4" long

3.3 TRUCK MOUNTING

The mounting pads for truck mounted pumps must be rigid and properly aligned with the driver. When PTO drives are used, always check with the manufacturer of the PTO equipment to determine the alignment required for proper operation of the PTO and the type of guarding that must be used. See Section 2.5, **ALIGNING DRIVER AND PUMP.**

The pumps are designed to be mounted by the feet. These pumps may be mounted with the feet in the three, nine, or twelve o'clock position as well as the standard six o'clock position.



MOUNTING POSITIONS

3.4 DIRECTION OF ROTATION

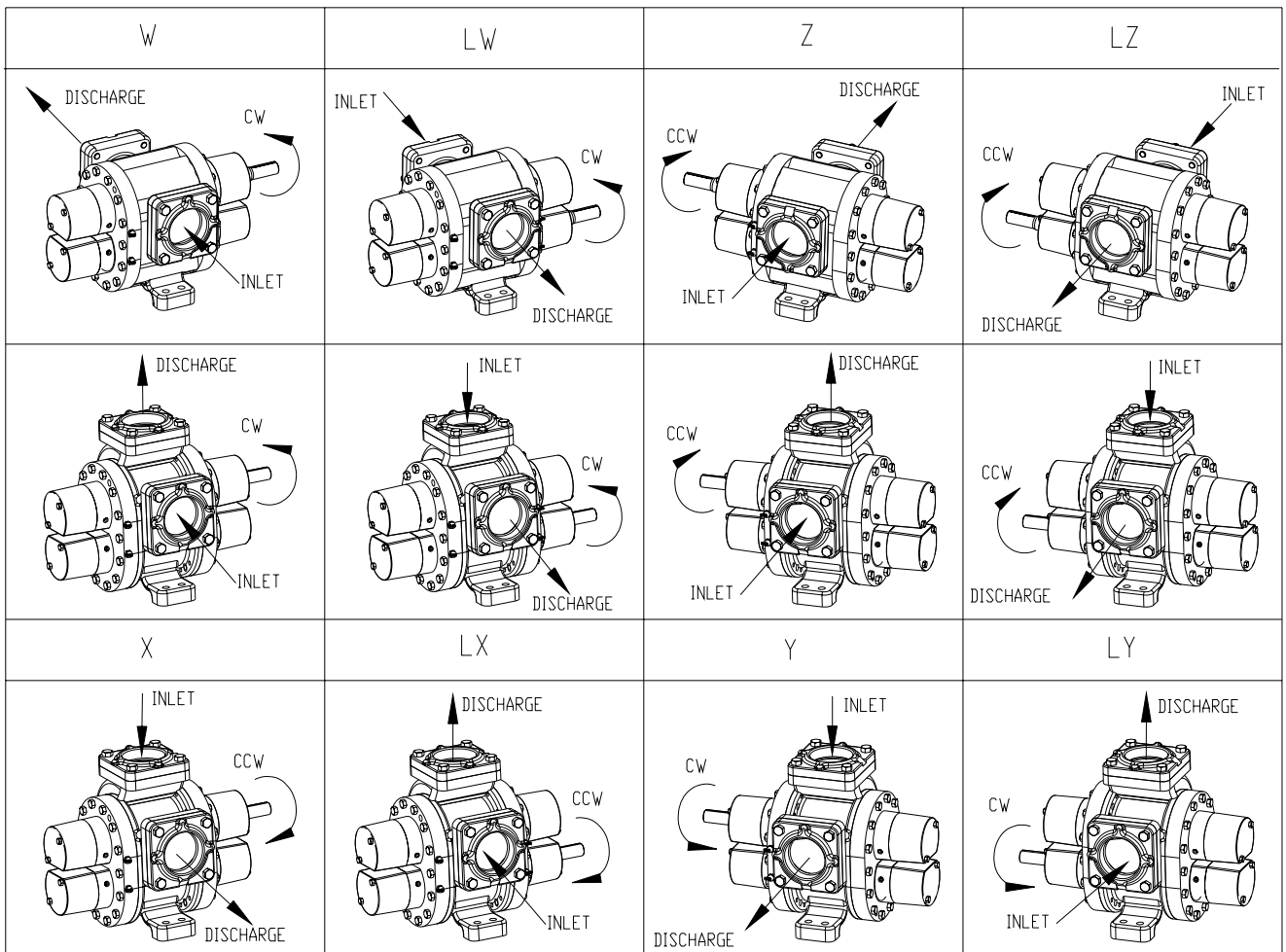


FIGURE 3.4.1

3.5 HIGH DRIVE TO LOW DRIVE

Prior to operating pump, make sure that the shaft rotation, pipe connections, and the relief valve position are in accordance with the appropriate illustrations (Figure 3.4.1). In order to change the rotation and/or piping orientation, it may be necessary to remove the piping from the pump or the pump from the mounting. (Fittings and flange gaskets, when provided, can be removed from pump.)

Whenever changing rotation, inspect all parts before reassembly. Replace all worn parts and install new gaskets in appropriate numbers as removed.

1. Remove coupling or universal joint and drive key (70) from drive shaft (72). Remove all burrs and sharp edges from drive shaft and keyway.
2. To reverse pump rotation and keep piping arrangement the same, drive shaft (72) position must be changed. Follow steps 3 - 24.

To reverse pump rotation and leave drive shaft (72) and case (1) in same position; liquid flow through pump will be reversed. Follow step 25 - 39.

To change port to opposite side on pumps with right angle port arrangement and maintain same pump rotation, follow steps 40 - 63.

To change port to opposite side, maintain same pump rotation and drive shaft (72) in same position; liquid flow through pump will be reversed. Follow steps 64 - 101.

REVERSE ROTATION, SAME PIPING ARRANGEMENT

3. To reverse pump rotation and keep piping arrangement the same, it is necessary to change from high drive to low drive or low drive to high drive (W to LX, X to LW, Z to LY, Y to LZ).
4. Remove key (70) from drive shaft (72).

5. Remove two hex head cap screws (94) from each of four bearing housings (30A and 30B).
6. Slide four bearing housings (30A and 30B) and bearing housing gaskets (31) off of bearings. Two holes are tapped for use with a puller if necessary.
7. Loosen and back out, approximately half way, two set screws in each of eight bearings (34)
8. Slide each of four outer-most bearings (34) off of shafts (72 and 73).
9. Remove two socket head cap screws (80) from inner bearing housings (30C).
10. Slide four inner bearing housings (30C), four ball bearings (34), four lip seals (88B), and four bearing housing gaskets (31) off of shafts (72 and 73). Two holes are tapped for use with a puller, if necessary. Puller should be bolted to bearing housing and push against end of shaft. Do not remove seals from bearing housings.
11. Remove fourteen hex head cap screws (22) from both endplates.
12. Slide both endplates (20) off of shafts (72 and 73). Do not remove seals from endplates.
13. Switch drive gear/shaft (72 and 74) and idler gear/shaft (73 and 75) positions in case (1).
14. Position appropriate number of case gaskets (5) on case (1) (oil or grease may be used to hold gaskets in place).
15. Liberally grease all four shaft surfaces.
16. **Gently** slide endplates into position over shafts and onto dowel pins (4). **Take care** not to damage or reverse lip seals (88A, 88B) when installing endplates.
17. Install and tighten fourteen hex head cap screws (22) in both endplates.
18. Position bearing housing gaskets (93A) on inner bearing housings (30C).

19. Slip inner bearing housings (30C) into position on endplates and attach using two socket hex head cap screws (80) in each of the four housings.
20. Remove one set screw from each of four inner ball bearings (34) and back out second set screw in each bearing so that set screw will clear shaft OD. Apply anti-seize compound to shaft OD and bearing OD
21. With bearing set screws on outboard side of bearing, slide each inner ball bearing (34) onto shaft and into bearing housing. Look through bearing set-screw hole to position set screw directly over second groove from end of each shaft. Tighten first set screw of each bearing. Install second set-screw in each of four inner ball bearings and tighten.
22. With bearing set screws on inboard side of bearing, slide each outer ball bearing (34) onto shaft. Look through bearing set-screw hole to position set screw directly over first groove from end of each shaft. Tighten first set-screw of each bearing. Install second set-screw in each of four outer ball bearings and tighten.
23. Place outer bearing housing gasket (31) over bearings and against face of inner bearing housing (30C). Apply anti-seize compound to bearing OD
24. Slide outer bearing housings over shafts and bearing and install and tighten two hex head cap screws in each of the four outer bearing housings (30A, 30B).

REVERSE ROTATION, SAME DRIVE SHAFT AND CASE ARRANGEMENT

25. To reverse flow of liquid through pump ports, reverse rotation of drive shaft (72), maintain the original positions of the drive shaft and case (1) (W to X, LW to LX, Z to Y, LX to LY).

CHANGE PORT AND DRIVE SHAFT LOCATION, SAME ROTATION

26. To change the port to the opposite side and maintain same pump rotation, change drive shaft (72) from high drive to low drive (W to LY, Y to LW, Z to LX, X to LZ) or vice versa.
27. Remove key (70) from drive shaft (72).
28. Remove two hex head cap screws (84) from each of four bearing housings (30A and 30B).
29. Slide four bearing housings (30A and 30B) and bearing housing gaskets (31) off of bearings. Two holes are tapped for use with a puller if necessary.
30. Loosen and back out, approximately half way, two set screws in each of eight bearings (34).
31. Slide each of four outer-most bearings (34) off of shafts (72 and 73).
32. Remove two socket head cap screws (80) from inner bearing housings (30C).
33. Slide four inner bearing housings (30C), four ball bearings (34), four lip seals (88A, 88B), and four bearing housing gaskets (93A) off of shafts (72 and 73). Two holes are tapped for use with a puller, if necessary. Puller should be bolted to bearing housing and push against end of shaft. Do not remove seals from bearing housings.
34. Remove fourteen hex head cap screws (22) from both endplates.
35. Slide both endplates (20) off of shafts (72 and 73). Do not remove seals from endplates.
36. Remove the drive gear/shaft (72 and 74) and idler gear/shaft (73 and 75) from the case (1).
37. Rotate the case 180°, (front to back).
38. Switch drive gear/shaft (72 and 74) and idler gear/shaft (73 and 75) positions in case (1).

39. Position appropriate number of case gaskets (5) on case (1) (oil or grease may be used to hold gaskets in place).
40. Liberally grease all four shaft surfaces.
41. **Gently** slide endplates into position over shafts and onto dowel pins (4). **Take care** not to damage or reverse lip seals (88A, 88B) when installing endplates.
42. Install and tighten fourteen hex head cap screws (22) in both endplates.
43. Position inner bearing housing gaskets (93A) on inner bearing housings (30C).
44. Slip inner bearing housings (30C) into position on endplates and attach using two socket head cap screws (80) in each of the four housings.
45. Remove one set screw from each of four inner ball bearings (34) and back out second set screw in each bearing so that set screw will clear shaft OD. Apply anti-seize compound to shaft OD and bearing OD
46. With bearing set screws on outboard side of bearing, slide each inner ball bearing (34) onto shaft and inner bearing housing. Look through bearing set-screw hole to position set screw directly over second groove from end of each shaft. Tighten first set screw of each bearing. Install second set-screw in each of four inner ball bearings and tighten.
47. With bearing set screw on inboard side of bearing, slide each outer ball bearing (34) onto shaft. Look through bearing set-screw hole to position set screw directly over first groove from end of each shaft. Tighten first set-screw of each bearing. Install second set-screw in each of four outer ball bearings and tighten.
48. Place outer bearing housing gasket (31) over bearings and against face of inner bearing housing (30C). Apply anti-seize compound to bearing OD.

49. Slide outer bearing housings over shafts and bearing and install and tighten two hex head cap screws in each of the four outer bearing housings (30A, 30B).

SAME ROTATION, CHANGE PORT LOCATION, SAME DRIVE SHAFT LOCATION

50. To change the port to the opposite side, maintain same pump rotation and drive shaft (72) in same position; the flow of liquid through the pump will be reversed (W to Y, LW to LY, Z to X, LZ to LX) or vice versa.
51. Remove key (70) from drive shaft (72).
52. Remove two hex head cap screws (94) from each of four bearing housings (30A and 30B).
53. Slide four bearing housings (30A and 30B) and bearing housing gaskets (31) off of bearings. Two holes are tapped for use with a puller if necessary.
54. Loosen and back out, approximately half way, two set screws in each of eight bearings (34).
55. Slide each of four outer-most bearings (34) off of shafts (72 and 73).
56. Remove two socket head cap screws (80) from bearing housings (30C).
57. Slide four inner bearing housings (30C), four ball bearings (34), four lip seals (88A, 88B), and four bearing housing gaskets (93A) off of shafts (72 and 73). Two holes are tapped for use with a puller, if necessary. Puller should be bolted to bearing housing and push against end of shaft. Do not remove seals from bearing housings.
58. Remove fourteen hex head cap screws (22) from both endplates.
59. Slide both endplates (20) off of shafts (72,73). Do not remove seals from endplates.

60. Remove drive gear/shaft (72 and 74) from the case (1).
61. Rotate case 180°, (front to back).
62. Replace drive gear/shaft (72 and 74) and idler gear/shaft (73 and 75) in same position in case.
63. Position appropriate number of case gaskets (5) on case (1) (oil or grease may be used to hold gaskets in place).
64. Liberally grease all four shaft surfaces.
65. **Gently** slide endplates into position over shafts and onto dowel pins (4). **Take care** not to damage or reverse lip seals (88A, 88B) when installing endplates.
66. Install and tighten fourteen hex head cap screws (22) in both endplates.
67. Position inner bearing housing gaskets (93A) on inner bearing housings (30C).
68. Slip inner bearing housings (30C) into position on endplates and attach using two socket head cap screws (80) in each of the four bearing housings.
69. Remove one set screw from each of four inner ball bearings (34) and back out second set screw in each bearing so that set screw will clear shaft OD. Apply anti-seize compound to shaft OD and bearing OD
70. With bearing set screws on outboard side of bearing, slide each inner ball bearing (34) onto shaft and into inner bearing housing. Look through bearing set-screw hole to position set screw directly over second groove from end of each shaft. Tighten first set screw of each bearing. Install second set-screw in each of four inner ball bearings and tighten.
71. With bearing set screws on inboard side of bearing, slide each outer ball bearing (34) onto shaft. Look through bearing set-screw hole to position set screw directly over first groove from end of each shaft. Tighten first set-screw of each bearing.

Install second set-screw in each of four outer ball bearings and tighten.

72. Place outer bearing housing (31) over bearings and against face of inner bearing housing (30C). Apply anti-seize compound to bearing OD
73. Slide outer bearing housings over shafts and bearing and install and tighten two hex head cap screws in each of the four outer bearing housings (30A, 30B).

3.6 INSTRUCTIONS FOR DRAINING PUMP

Refer to Section 3.10, **PUMP SECTIONAL DRAWING.**



- **WARNING!** Relieve all internal fluid and air pressure inside the pump before attempting to drain the pump.
- **WARNING!** Take necessary precautions to prevent the pump from becoming energized while draining the pump.
- **WARNING!** Take necessary precautions to prevent injury or physical damage that could be caused by any loss of the product being pumped while draining the pump.

The extent to which a pump can be drained is dependent upon the product being pumped. Low viscosity products such as solvents will drain quickly and easily. High viscosity products such as molasses and tar will drain very slowly. Also, the draining of high viscosity products will be less complete.

Regardless of the product pumped, the areas at the blind end of the bearing bores and the mechanical seal chamber will not drain.

1. Refer to Section 2.0 and read sections on **SAFETY PRECAUTIONS** and **ADDITIONAL IMPORTANT WARNINGS AND INFORMATION** before starting procedures.
2. Loosen fourteen hex head cap screws (22) securing faceplate to allow a gap of 1/32 of an inch [.76 mm] between faceplate and case (1) for draining.
3. Rotate drive shaft very slowly by hand. Each time that flow from drain increases; stop turning shaft until flow stops; then resume until flow increases again. Be sure to rotate shaft several complete revolutions in each direction until all flow from drain has stopped.
4. After draining has been completed, examine case gaskets (5) making sure gasket is not torn prior to tightening the eight hex head cap screws (22). If gasket is torn or further disassembly is required, follow steps in Section 3.7, **INSTRUCTIONS FOR PUMP DISASSEMBLY** to replace gaskets.

3.7 INSTRUCTIONS FOR PUMP DISASSEMBLY

Refer to Section 3.10, **PUMP SECTIONAL DRAWING**.

1. Read section 2.0 on **SAFETY PRECAUTIONS** and **ADDITIONAL IMPORTANT WARNINGS AND INFORMATION** before starting to disassemble pump. While disassembling pump, always inspect disassembled parts and adjacent parts to see if further disassembly is needed. Replace worn or damaged parts as required. Read Section 2.0, **REPLACEMENT PARTS**.
2. If you do not know which pump arrangement you have, collect nameplate data and refer to Section 1.0, **NAMEPLATE DATA**, to determine what you have. Consult a Roper Pump

Company or an authorized distributor if you have any questions.

3. When cleaning or lubricating, use only cleaning solutions and lubricants that are compatible with products being pumped and with sealing elastomers. **DO NOT** use petroleum base products with seals with EPR elastomers. Use a nonpetroleum based lubricant with EPR elastomers.
4. Turn off pump and lock out energy source to driver. **DO NOT** proceed further with disassembly of pump if there is the slightest possibility that driver may be started.
5. Close inlet and discharge valves.
6. Remove guard and disconnect coupling between driver and pump.
7. Drain inlet and discharge lines. Disconnect lines from pump inlet and discharge.
8. Follow the procedure in Section 3.6, **INSTRUCTIONS FOR DRAINING PUMP**.
9. Remove key (70) from drive shaft (72).
10. Remove two hex head cap screws (94) from each of four outer bearing housings (30A and 30B).
11. Slide four outer bearing housings (30A and 30B) and bearing housing gaskets (31) off of bearings. Two holes are tapped for use with a puller if necessary.
12. Remove lip seal (32) from bearing housing (30A).
13. Loosen and back out, approximately half way, two set screws in each of eight bearings (34).
14. Slide each of four outer-most bearings (34) off of shafts (72 and 73).
15. Remove two socket head cap screws (80) from inner bearing housings (30C).

16. Slide four inner bearing housings (30C), four ball bearings (34), four lip seals (88A, 88B), and four bearing housing gaskets (93A) off of shafts (72 and 73). Two holes are tapped for use with a puller, if necessary. Puller should be bolted to bearing housing and push against end of shaft. Do not remove seals from bearing housings.
17. Remove four lip seals (88A, 88B), four ball bearings (34), and four bearing housing gaskets (93A) from inner bearing housings (30C).
18. Remove fourteen hex head cap screws (22) from both endplates.
19. Slide both endplates (20) off of shafts (72 and 73).
20. Remove two seal retainers (93), four lip seals (88A, 88B), two seal rings (98), and case gaskets (5) from each of the two endplates (20).
21. Remove drive shaft (72) and key (71) from case (1).
22. Remove idler shaft (73) and key (71) from case (1).
23. Remove drive gear (74) and idler gear (75) from case (1).
24. Visually inspect all parts. Replace all worn or damaged parts before reassembling pump. It is recommended that new gaskets (5, 93A, and 31) and all new seals (88A, 88B, and 32) be installed each time pump is disassembled and reassembled.

3.8 DIMENSIONAL DATA FOR INTERNAL PARTS

Nominal dimensions are given below. With the exception of gasket thickness and lateral clearance, your actual measurements should not vary from these numbers by no more than .002". Use properly calibrated measuring equipment when measuring parts.

| ITEM | PUMP DIMENSIONS |
|--|-----------------|
| Case Bores | 5.669 |
| Gear O.D. | 5.657 |
| Gear O.D. to Case Bore Dia. Clearance | .012 |
| Case Width | 7.193 |
| Gasket Thickness (one) | .010 |
| Compressed Gasket Thickness (three) | .022 |
| Gear Face Width | 7.194 |
| Lateral Clearance (three compressed gaskets) | .022 |

3.9 INSTRUCTIONS FOR PUMP ASSEMBLY

Refer to Section 3.10, **PUMP SECTIONAL DRAWING**.

Refer to Section 3.4, **DIRECTION OF ROTATION**, to assure proper configuration for pump rotation and port location prior to assembling pump.

1. Refer to Section 2.0 and read instructions on **REPLACEMENT PARTS, THREADED PORT CONNECTIONS, SHAFT SEALING, and SAFETY PRECAUTIONS** before assembling pump. Visually inspect all parts during assembly. Replace all worn or damaged parts. Although they may appear reusable, it is recommended that new gaskets (5, 93A, and 31) and lip seals (88A, 88B, and 32) be installed when pump is being reassembled.
 - **WARNING!** Only use genuine ROPER® gaskets. Gasket thickness determines proper clearances. Always check quantity of gaskets removed and replace with exact quantity. Proper material must be used based on application.

2. When cleaning or lubricating, only use products that are compatible with product being pumped and elastomers within pump.
3. Install key (71) in drive shaft (72) and slide drive shaft into drive gear (74) bore.
4. Install key (71) in idler shaft (73) and slide idler shaft into idler gear (75) bore.
5. Read and understand Section 3.4, **DIRECTION OF ROTATION AND RELIEF VALVES**. Using information from Section 3.4, determine position of case in relation to coupling end of drive shaft (72). Install drive gear/shaft and idler gear/shaft into proper positions in case (1).
6. Position appropriate number of case gaskets (5) on case (1) (oil or grease may be used to hold gaskets in place).
7. Liberally grease all four shaft surfaces.
8. **Gently** slide endplates into position over shafts and onto dowel pins (4).
9. Install and tighten fourteen hex head cap screws (22) in both endplates.
10. Slide one seal ring (98) over each of four shaft ends push to bottom of bores in endplates (20).
11. Pack inboard lip seal (88A) with grease and slide over shaft end with lip facing toward pump gears and press to bottom of endplate bore. **NOTE:** Twelve of the lip seals are dimensionally identical, however, the four inboard lip seals have one part number and the other eight lip seals (four middle and four outboard) have a different part number. Take care to install the four seals that have the same part number in the inboard position.
12. Repeat step 11 on other three shaft ends.
13. Pack middle lip seal (88B) with grease and slide over shaft end with lip facing toward pump gears and press into endplate bore. **NOTE:** Twelve of the lip seals are dimensionally identical, however, the four inboard lip seals have one part number and the other eight lip seals (four middle and four outboard) have a different part number. Take care to install the four seals that have the same part number in the inboard position.
14. Pack the seal retainer (98) with grease, slide over shaft end and push into endplate bore. **NOTE:** The entire face of the seal retainer must be supported by the tool used to push the seal retainer into the endplate bore.
15. Using the proper tool, press outer lip seal (88B) into seal bore of inner bearing housing (30C) with seal lip facing away from bearings (34) then pack seal lip with grease.
16. Place inner bearing housing gasket (93A) on face of inner bearing housing (30C), (oil or grease may be used to hold gaskets in place).
17. Slide inner bearing housing (30C) over shaft end and into position against endplate (20). Secure using two socket head cap screws (80). Repeat procedure to attach other three inner bearing housings.
18. Remove one set screw from each of eight ball bearings (34) and back out second set screw in each bearing so that set screw will clear shaft OD. Apply anti-seize compound to shaft OD and bearing OD
19. With bearing set screws on outboard side of bearing, slide each inner ball bearing (34) onto shaft and into bearing housing. Look through bearing set-screw hole to position set screw directly over second groove from end of each shaft. Tight first set screw of each bearing. Install second

set-screw in each of four inner ball bearings and tighten.

20. With bearing set screws on inboard side of bearing, slide each outer ball bearing (34) onto shaft. Look through bearing set screw hole to position set screw directly over first groove from end of each shaft. Tighten first set-screw of each bearing. Install second set-screw in each of four outer ball bearings and tighten. Apply anti-seize compound to bearing OD
21. Place outer bearing housing gasket (31) over bearings and against face of inner bearing housing (30C), (oil or grease may be used to hold gaskets in place).
22. Slide each of three blind outer bearing housings (30B) over shafts and bearing and install and tighten two hex head cap screws (94).
23. Press lip seal (32) in small bore of outer bearing housing (30A) with lip facing inward toward ball bearings (34). Apply small amount of grease to lip area.
24. Slide outer bearing housing (30A) over shaft and bearing and install and tighten two hex head cap screws (94).
25. Install drive key (70).
26. Refer to Section 2.0 and read sections on **ADDITIONAL IMPORTANT WARNINGS AND INFORMATION, THREADED PORT CONNECTIONS, INSTALLATION OF PIPES, PREOPERATION CHECKS, SHAFT SEALING, AND ALIGNING DRIVER AND PUMP** before installing and operating pump.

3.10 PUMP SECTIONAL DRAWING

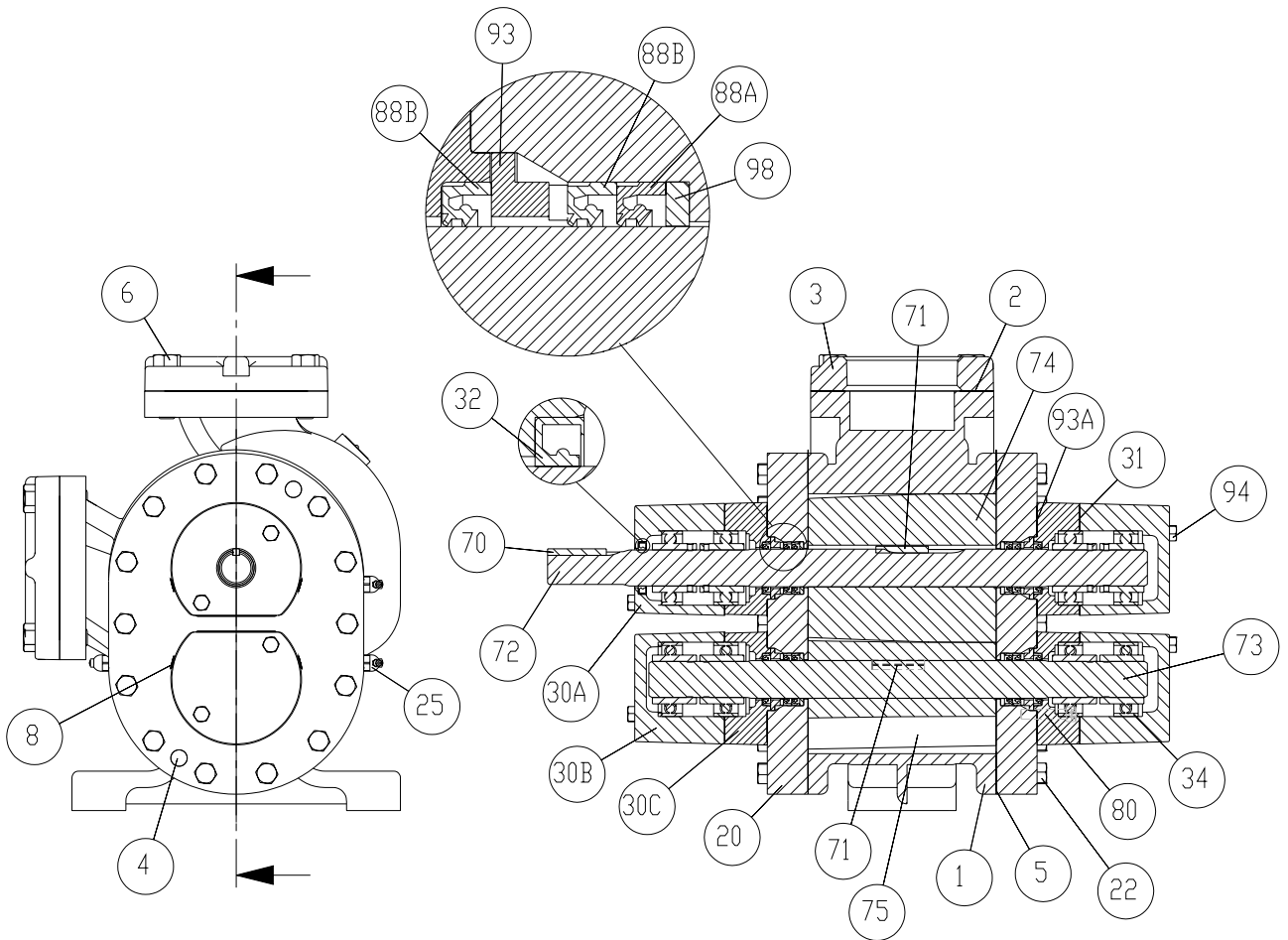


FIGURE 3.10.1



3.11 PARTS LIST

- | | |
|--|----------------------------------|
| 1. Case/WARN Plate Assembly | 70. Key |
| 2. Gasket, Flange | 71. Key |
| 3. Flange | 72. Drive Shaft |
| 4. Dowel Pin | 73. Idler Shaft |
| 5. Case Gasket | 74. Drive Gear |
| 6. Hex Head Cap Screw | 75. Idler Gear |
| 8. Plug | 80. Socket Head Cap Screw |
| 20. Endplate | 88A.Lip Seal |
| 22. Hex Head Cap Screw | 88B.Lip Seal |
| 25. Lube Fitting w/ RV | 93. Seal Retainer |
| 30A.Coupling End Outer Bearing Housing | 93A.Inner Bearing Housing Gasket |
| 30B.Outer Bearing Housing | 94. Hex Head Cap Screw |
| 30C.Inner Bearing Housing | 98. Seal Ring |
| 31. Outer Bearing Housing Gasket | |
| 32. Lip Seal | |
| 34. Ball Bearing | |



3.12 COMMON MAINTENANCE QUESTIONS

Question:

At what point do I need to overhaul my pump?

Answer:

As with all rotating equipment, your pump will eventually wear to a point where the pump's performance is diminished. The pump's performance is dependent upon the application. For instance, a very worn pump may work at an acceptable level in an application involving a high viscosity (thick) liquid when combined with low discharge pressure. This same pump would most likely be unsatisfactory in a low viscosity, high pressure application. The best answer to the above question is the following: You need to overhaul your pump when you feel that the performance has dropped to an unacceptable level for your application.

If you have set up your own test procedure to check your used pumps, it will be helpful to test at least one new pump of each size to use as a benchmark for setting your own acceptance levels.

Question:

What parts will I need to replace to get my pump back to "like-new" condition?

Answer:

As a general rule, replace all gaskets, o-rings, and lip seals at each servicing regardless of their apparent condition. These parts are usually less expensive than the labor costs and downtime incurred if the pump has to be serviced a second time to stop a leak.

The parts subject to wear should be examined for obvious wear and corrosion. This includes bearings, shafts, gears, cases, and endplates. Measurements should be made and compared to the dimensions shown in Section 3.8. Replace any parts that are worn beyond the limit shown.

If the pump is used exclusively in an abrasive application or high viscosity application, you may be able to extend the life of the gears or case. If the gears show heavy wear on only one side of the tooth, very little wear on the ends and O.D., the gears can be turned over, end-for-end, in the pump. This will put the previously unworn sides of the gear teeth in contact. Similarly, if your pump has a case with straight through ports and it is worn on the inlet side only, the case can be turned around and used again.

Question:

What do I look for to determine excessive wear?

• **Gears**

The gears are serviceable if there is no degradation of the teeth or end faces. Check for uniform wear. There should be no burrs or gouges on any of the gear's surfaces.

• **Bearings**

If bearing or bearing seals are worn or damaged, they should be replaced.

• **Cases**

Excessive case wear is usually the result of worn bearings or shafts allowing gears to contact the case bores. Minor rubbing of the case bore is normal.

• **Shafts**

Replace the shaft if it is scored in the seal or bearing area.

• **Endplates**

Excessive wear is usually the result of pumping products containing abrasives. If the endplates are damaged in the area that the ends of gears rub, they should be replaced.

Question:

Do I need special tools to disassemble and reassemble my pump?

Answer:

The only special tools required are for removal of the bearings.

Question:

How long can my pump run dry?

Answer:

One minute is a practical maximum for running a pump dry. Anything longer could cause the pump to overheat resulting in possible pump damage or failure.

Question:

At what point should I buy a new pump?

Answer:

A new pump should be purchased when the old pump cannot be economically repaired.

Question:

Are there service centers where I can get my pump repaired?

Answer:

Most Roper Pump Company distributors are able to repair pumps. Consult the factory to find your nearest distributor. Also, Roper Pump Company has a repair department. Any pump repaired at the factory is rebuilt to like-new condition and carries a new pump warranty. Pumps may be returned to the factory by an authorized ROPER® pump distributor.

3.13 INDEX

A

Assembly

Instructions for Standard Drive Pump Assembly, 3 - 8 through 3 - 10

C

Conversions

High Drive to Low Drive, 3 - 3 through 3 - 6

D

Dimensional Data, 3 - 8

Disassembly, 3 - 7 through 3 - 8

Draining Pump, 3 - 6 through 3 - 7

Drawings

Sectional Drawing, 3 - 11

M

Maintenance Questions, 3 - 13 through 3 - 14

R

Rotation

Direction of Rotation, 3 - 2

T

Tools, 3 - 1

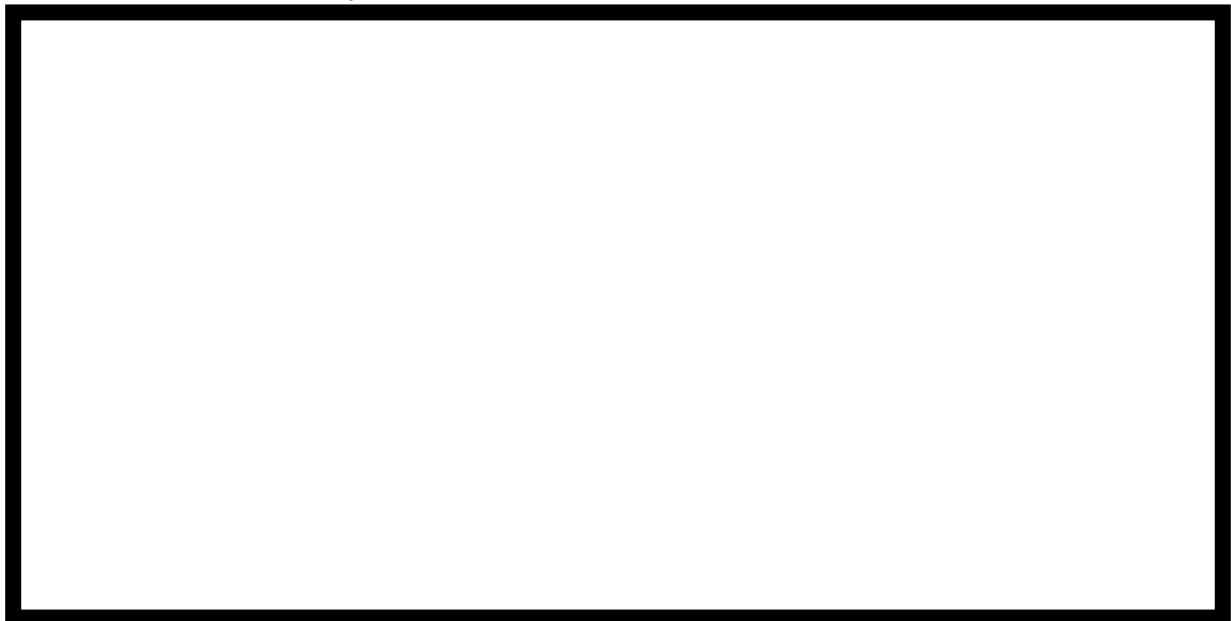


Additional copies of the installation and operation manual may be obtained by contacting a Roper Pump Company distributor or:

Roper Pump Company
PO Box 269
Commerce, Georgia 30529 USA

Telephone: (706) 335-5551
TeleFAX: (706) 335-5490
Email: sales@roperpump.com
Web: www.roperpumps.com

Your Roper Pump Company distributor is:



PART NO. G12-416

2/28/2003

**INSTALLATION, OPERATION
AND
MAINTENANCE MANUAL
FOR ROPER®
3800 SERIES PUMPS
3832, 3843 AND 3848
TYPE 3**



**Roper Pump Company
PO Box 269
Commerce, Georgia 30529
USA**

**Telephone: (706) 335-5551
TeleFAX: (706) 335-5490
Email: sales@roperpump.com
Web: www.roperpumps.com**

©2003 Roper Pump Company

PART NO. G12-415

Section 1.0

TABLE OF CONTENTS

| Section | | Page |
|----------------|----------------------------|-------------|
| 1.1 | Nameplate Data | 1 - 1 |
| 1.2 | Maximum Pump Ratings | 1 - 2 |

1.1 NAMEPLATE DATA

Roper Pump Company identifies each pump manufactured by a metal nameplate attached to the pump. This nameplate describes the pump as built at the factory. Copy the nameplate data from your pump in the area provided below. Use this for ready reference when ordering repair parts or when consulting with Roper Pump Company or an authorized distributor about this pump.

FIGURE NUMBER: _____

SPEC NUMBER: _____

TYPE: _____

SERIAL NUMBER: _____

PUMP NOMENCLATURE

**Example: 3848FRVLW SPEC XXX
TYPE 3 SERIAL NO. ZZZ**

1. The FIGURE number consists of a nine digit number.
 - The first digit (3) indicates the port arrangement.
3 – 3800 Series with right angle ports
 - The second digit (8) indicates the pump series.
 - The third and fourth digits (48) indicates the approximate theoretical displacement in U.S. gallons per 100 revolutions.
Gallons [Liters]/100 Rev.
32 [121.1]
43 [162.8]
48 [181.7]
 - The letter (F) indicates port style.
F – Pump with Roper standard flange ports
No Letter – indicates threaded ports.

- The letters (RV) indicate the pump has an integral relief valve.
No Letters – indicate the pump does not have an integral relief valve.
 - The last letters usually indicate the rotation and port configuration. Rotation and port configuration is viewed from the drive end of the pump.
W – Clockwise rotation, inlet on left, high drive.
Z – Counter-clockwise rotation, inlet on right, high drive.
X – Counter-clockwise rotation, discharge on left, high drive.
Y – Clockwise rotation, discharge on right, high drive.
LW – Clockwise rotation, discharge on left, low drive.
LZ – Counter-clockwise rotation, discharge on right, low drive.
LX – Counter-clockwise rotation, inlet on left, low drive.
LY – Clockwise rotation, inlet on right, low drive.
2. Occasionally, special pumps or configurations are required which are unique for a particular application. These modifications are clarified by a SPECification number. Identification of any items different than a standard pump can be made by consulting Roper Pump Company or an authorized distributor.
 3. The TYPE number is a number used by Roper Pump Company for in-house identification of construction and hydraulics. Always include the type number in any references to the pump.
 4. The SERIAL number is a unique number assigned to each pump built by Roper Pump Company.

In any communication concerning this pump, always be sure to include the Figure, Spec, Type, and Serial numbers so proper identification of the pump can be assured.

1.2 MAXIMUM PUMP RATINGS

The maximum pressure and speed limits for this pump SERIES are shown below.

The maximum rating of a pump with a SPEC number may be lower depending on the materials of construction.

Maximum limits for this SERIES:

125 psi [862 kPa] Maximum Inlet Pressure

125 psi [862 kPa] Maximum Discharge Pressure

124 psi [855 kPa] Maximum Differential Pressure

1000 rpm Maximum Speed

Maximum Temperature Limits for standard pumps (no spec number) are:

250°F [121°C]

Section 2.0

TABLE OF CONTENTS

| Section | | Page |
|----------------|--|-------------|
| 2. 1 | Introduction | 2 - 1 |
| 2. 2 | Safety Precautions | 2 - 2 |
| 2. 3 | Preoperation Checks..... | 2 - 3 |
| 2. 4 | Preparation of Foundation..... | 2 - 4 |
| 2. 5 | Aligning Driver and Pump..... | 2 - 5 |
| 2. 6 | Additional Important Warnings and Information..... | 2 - 9 |
| 2. 7 | Installation of Pipes..... | 2 - 10 |
| 2. 8 | Threaded Port Connections..... | 2 - 11 |
| 2. 9 | Checking Pump Performance..... | 2 - 12 |
| 2. 10 | Replacement Parts..... | 2 - 13 |
| 2. 11 | Index | 2 - 14 |

2.1 INTRODUCTION

! IMPORTANT

THIS MANUAL MUST ACCOMPANY THE PUMP UPON ALL TRANSFERALS. MAKE SURE THE OPERATOR OF THE EQUIPMENT HAS READ AND UNDERSTANDS THIS MANUAL BEFORE OPERATING THE PUMP OR ANY RELATED EQUIPMENT.

When properly selected, installed, operated, and maintained, ROPER® pumps will provide long, dependable service. Remember, faulty selection and installation form the basis of more pump troubles than all other causes combined. No amount of maintenance can compensate for selection and installation mistakes. Read this manual carefully and understand it totally before installing or operating the pump which it accompanies.

This pump is satisfactory for its rated conditions. Its operation beyond these conditions may subject it to stresses and strains that it is not designed to withstand.

Install ample coupling or belt guards for the protection of personnel.

This manual will cover standard pumps and most SPECification number pumps. Appearance may vary among pumps and construction may vary on spec. number pumps. Specification numbers are assigned to pumps with other than standard features. Roper Pump Company produces specific manuals for most standard line pump models. Contact Roper Pump Company to find out if the pump model you have has a specific manual and to request a copy.

If there is any question concerning the ratings, instructions, or compatibility of the pump with the pumped liquid, consult an authorized distributor or:

Roper Pump Company
PO Box 269
Commerce, Georgia 30529 USA
Telephone: (706) 335-5551
TeleFAX: (706) 335-5490
Email: sales@roperpump.com
Web: www.roperpumps.com

! IMPORTANT

Read the following before starting the pump! Failure to heed these warnings may result in an accident causing physical damage, serious personal injury, or death!

- Read and understand all tags and installation and operating instructions.
- **WARNING!** Install proper guard(s). **DO NOT** operate pump without guard(s) installed, always use caution near rotating parts including the drive system for the pump. Serious injuries and death have occurred from becoming entangled in rotating shafts.
- **WARNING! DO NOT** operate this equipment in excess of its rated capacity, pressure, speed, and temperature, or other than according to the instructions contained in this manual.
- **WARNING!** Install and properly set devices into the system to prevent the chance of too much pressure, high temperature, and driver overload. The pump is not provided with these devices.
- **WARNING!** Proper measures and safeguards must be taken to avoid spillage and overflow from overfilling or putting too much pressure on any component of the system. This includes the receiver and lines.
- Know the operating conditions.
- Open all lines before starting pump.

This manual contains general information concerning the use, inspection, adjustment, and test of the pump furnished. For certain applications and installations, other precautions and safety measures may be appropriate and are the responsibility of the product installer and user. Users of this pump must have ample knowledge and training to apply sound safety and operating practices that may not be mentioned in the manual, and the sale of this pump is in reliance on such user knowledge and training

2.2 SAFETY PRECAUTIONS

WHEN LIQUID BEING PUMPED IS HAZARDOUS OR VOLATILE, ALWAYS TAKE FULL PRECAUTIONS. THIS INCLUDES THE RUN-IN PERIOD AND DURING DISASSEMBLY AND ASSEMBLY OF PUMP.

Controls, guards, walkways, machine arrangement, crew training, etc., are all necessary factors in the creation of a safe, practical installation and are generally not a part of our services. It is the responsibility of the contractor, installer, owner, and user to add to the materials furnished by Roper Pump Company to result in a safe installation and to comply with OSHA, state and local laws, and the ANSI/NFPA Life Safety Code.

There are many kinds of devices for pumps and systems such that if one component in a system is stopped, other equipment feeding or following it also can be automatically stopped. Serious thought should be given to the installation of these types of devices in every pump system.

- **DO NOT** attempt to install, operate, or perform maintenance on this equipment without first reading and understanding the material in this manual. Also, read and understand all tags and any other documentation accompanying the pump.
- **DO NOT** operate this equipment in excess of its rated capacity, pressure, speed, and temperature, or other than according to the instructions contained in this manual.
- **DO NOT** continue to operate this equipment if there is a failure of any part of the equipment or system. Correct the failure before operating the equipment.
- **DO NOT** bypass safety controls or guards. Their purpose is to protect and they must be in proper working order.
- **DO NOT** operate equipment without proper guards in place.
- **DO NOT** walk, stand, sit, or lean on guards.

- **DO NOT** work on a pump while it is operating or if there is a chance of the driver becoming energized except to adjust the relief valve.
- **DO NOT** adjust packing while the pump is operating or if there is a chance of the driver becoming energized.
- **DO NOT** adjust the integral relief valve without coupling guards in place.
- **DO NOT** place hands, feet, head, or any other part of your body in any pump opening while the pump can be operated.
- **DO NOT** poke or prod material in the pump.
- **DO NOT** start to disassemble the pump if there is the slightest chance of it becoming energized by accident. Lock out the energy source to the driver and disconnect the coupling before performing maintenance to the equipment.
- **DO NOT** wear loose or dangling clothing or jewelry near the equipment. It could become caught and possibly cause serious injury or death.
- **DO NOT** use metallic or hard faced striking tools when the need for tapping parts into position arises. Hard faced striking tools may damage parts or they may fracture or chip and send particles flying that could cause possible injury.
- **DO NOT** allow spills to remain in the work area. Clean up spills immediately. Oils, greases, and other fluids used in the equipment may create hazards if not cleaned up immediately after a spill.
- **DO NOT** spin bearings with compressed air. This is highly dangerous and can cause the bearing to fragment with explosive force, possibly causing serious injury or death.
- **DO NOT** attempt to install, use, or repair this equipment while under the influence of any substance that may impair physical or mental abilities. This includes, but is not limited to, alcohol and prescription and nonprescription drugs.

- **DO NOT** dispose of fluoroelastomers by burning. Toxic vapors are released by this compound upon combustion.
- **DO NOT** suspend pumps from the ports unless they have been specifically designed for this type of mounting.

-
- **DO** completely read and understand the information contained in this manual. *The operator of the equipment must be familiar with these instructions.*
 - **DO** stop the pump in a manner that there is no chance of the driver becoming energized while any kind of work is being performed on the pump or system.
 - **DO** always keep safety in mind.
 - **DO** know the operating conditions of the equipment.
 - **DO** take proper measures and precautions to avoid spillage and overflow from overfilling or putting too much pressure on any component of the system.
 - **DO** identify all possible hazards and decide what controls are needed. Remember, only you understand your product and system characteristics fully. *The ultimate responsibility for the application and safety is with you.*
 - **DO** install and properly set devices into the system to prevent the chance of dry operation, overpressure, excessive temperature, and driver overload.
 - **DO** provide guards for all exposed rotating parts, including all parts of the drive system, to prevent possible injury.
 - **DO** be careful when working near an operating pump. Contacting or getting caught in rotating parts may cause serious or fatal injury.
 - **DO** keep equipment in good working order, especially safety devices and guards.
 - **DO** be aware of your location relative to the equipment.

- **DO** wear proper clothing near the equipment. Safety glasses or goggles, and safety shoes are recommended. They will help reduce the chance of injury.
- **DO** use soft faced striking tools when the need for tapping parts into position arises. Rubber or plastic faced striking tools are recommended.
- **DO** practice good housekeeping. Clean up spills immediately. Keep the work area clean to avoid hazards. Always be sure of your footing around the equipment to avoid a possible fall and injury.
- **DO** use proper tools. Avoid *cheater* bars as they are a source for serious injury should they slip or break.
- **DO** mount pumps in the manner they were designed to be mounted.

2.3 PREOPERATION CHECKS

Read and understand the instructions and recommendations contained in this manual.

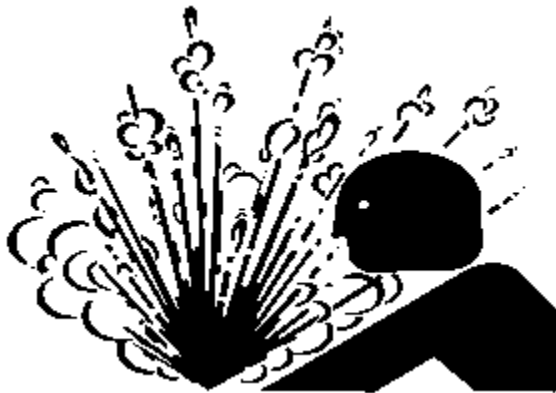
Disconnect the coupling between the driver and pump.

Test the rotation of the driver to make sure it will operate the pump in the desired direction of rotation. Rotation is shown on the pump in relation to the integral relief valve. When an integral relief valve is used, make sure it is positioned and adjusted as discussed in the section titled, **DIRECTION OF ROTATION AND RELIEF VALVES**. After the unit is mounted and the piping is connected, the pump should be checked to be sure it operates freely without binding. After operation is proved satisfactory, both pump and driver should be tightly secured and the alignment rechecked before operation. Before starting, make sure all guards are in place and the inlet and discharge valves are opened. After starting the unit, check to see that the pump is delivering liquid. If not, stop the driver immediately and refer to Section 2.9, **CHECKING PUMP PERFORMANCE**. After the pump is delivering liquid, check the unit for excessive vibration, localized heating,

and excessive shaft seal leakage. Check the pressure or vacuum by installing gauges at both the inlet and discharge sides of the pump to make sure the pressure or vacuum conform to specifications.



If there is no pressure relief device in the system, **NEVER** block the discharge line. If there is a relief valve in the system, **NEVER** block the discharge line between the relief valve and pump. High pressure will occur, resulting in possible damage or breakage to the pump or system parts and possible injury to personnel. **DO NOT** operate the pump for more than one minute with the discharge line blocked downstream of the relief valve. Rapid heating and possible damage will occur. Even an open discharge line does not prevent the possibility of high pressure. Discharge line length, diameter, and arrangement along with fluid viscosity and velocity also can create a high pressure situation at the pump.



WARNING! DO NOT overpressurize pump or system.

2.4 PREPARATION OF FOUNDATION

Locate the pump so that it is as low and as close to the fluid source as practical and so that piping to and from the pump will be as short and simple as practical. The pump and its driver must be accessible for inspection and maintenance. Accessibility to the unit and adequate clearance should be a major thought in any installation. The driver must be suitable for the environment (for example; open, splash proof, totally enclosed, or explosion proof electric motor). If the driver is not suitable, choose a different location or obtain another driver.

For best pump-driver unit life, mount each unit on a strong, fabricated, structural steel baseplate with a proper foundation. A good foundation is of major importance to the total installation. A thick, heavy concrete foundation is best since it is heavy enough to support the baseplate rigidly and absorb strain and shock. Locate anchor bolts for the baseplate in the foundation. Use a pipe sleeve, two to three times as large as the anchor bolts, around the anchor bolts to allow some lateral bolt movement during final positioning of the unit.

Place the unit, with the pump and driver mounted on the baseplate, on the foundation and disconnect the coupling (flexible coupling, belts, and sheaves, etc.). **DO NOT** reconnect the coupling unit until all alignment operations are complete. Support the baseplate on rectangular metal blocks and shims or on metal wedges having a small taper. Place the support pieces close to the anchor bolts and directly under the part of the baseplate carrying the greatest weight. Space the support pieces close enough to give uniform support. Allow a gap of about 3/4 inch [19 mm] to 1-1/2 inches [38mm] between the foundation and baseplate for grouting. Refer to Fig. 2.4.1.

Adjust the metal supports or wedges until the shafts of the pump and driver are level. At this time, check the faces of the inlet and discharge connections of the pump for horizontal or vertical position using a level.

Correct the positions, if necessary, by adjusting the supports or wedges under the baseplate as required.

For maximum rigidity and lower noise levels, grout the baseplate to the foundation. Use a good grade of nonshrink grout. When all alignments are correct (refer to Section 2.5, **ALIGNING DRIVER AND PUMP**), tighten the anchor bolts evenly but not too firmly. Then grout the unit to the foundation. Completely fill the baseplate with grout. It is desirable to grout the leveling pieces, shims, or wedges in place. Fill the spaces between the anchor bolts and sleeves with grout, also. Allow the grout to dry according to the manufacturer's instructions. **DO NOT** fully tighten the anchor bolts until the grout has hardened.

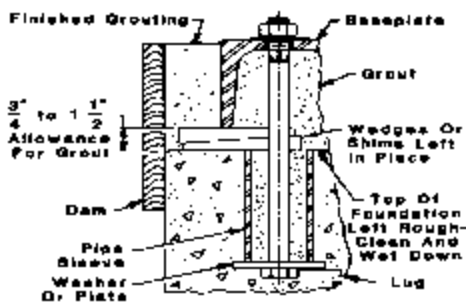


Fig. 2.4.1: Typical Baseplate Anchoring

After the grout has hardened and the anchor bolts have been properly tightened, check the unit for parallel and angular misalignment, and if necessary, take corrective measures. After the piping to the unit has been connected, check the alignment again.

NOTE: Attempts to correct alignment in one direction may alter the alignment in the other direction. Therefore, it is necessary to check alignment in all directions after making any adjustments.

Schedule semiannual inspections and checks of the foundation anchor bolts as part of a preventive maintenance program. If loose foundation bolts are found, tighten them and check the unit alignment.

Normal mounting for this pump is horizontal with the pump above the baseplate, properly grouted to a concrete foundation placed in or on solid earth. Mountings other than described above (such as vertical mounting, wall mounting, ceiling mounting, etc.) may require special components and precautions. Extra pump supports, special drivers, and extra anchor bolts may be necessary in unusual mountings. If your application requires other than normal mounting, as described above, you are urged to consult Roper Pump Company for assistance in determining any special needs that may be required.

2.5 ALIGNING DRIVER AND PUMP

The flexible coupling or belts and sheaves must be accurately realigned during and after installation. Refer to the flexible coupling or belt and sheave manufacturer's recommendations and instructions for the requirements for proper alignment. Also refer to Section 2.4, **PREPARATION OF FOUNDATION**, for additional information.

FLEXIBLE COUPLING

DO NOT use a flexible coupling to compensate for misalignment of the driver and pump shafts. The purpose of the flexible coupling is to compensate for temperature changes and to permit end movement of the shafts without interference with each other while transmitting power from the driver to the pump.

The faces of the coupling halves should be spaced far enough apart so that they cannot strike each other when the driver rotor is moved hard over toward the pump. The necessary tools for *approximate* checking of the alignment of a flexible coupling are a straight edge and a taper gauge or a set of feeler gauges.

DANGER

Make sure there is no chance of the driver becoming energized while aligning driver and pump. Getting caught in rotating parts of the drive system will cause serious personal injury or death. DO NOT start or operate pump without guards in place.



WARNING! DO NOT operate without guards in place.

There are two forms of misalignment between the driver shaft and the pump shaft. The first is angular misalignment, where the axes of the shafts are concentric but not parallel. The other is parallel misalignment, where the axes of the shafts are parallel but not concentric. Refer to Fig. 2.5.1.

Make the check for angular alignment by inserting the taper gauge or feeler gauges between the coupling faces and comparing the distance between the faces at four points spaced at 90° intervals around the coupling. The unit will be in angular alignment when the measurements show that the coupling faces are the same distance apart at all points.

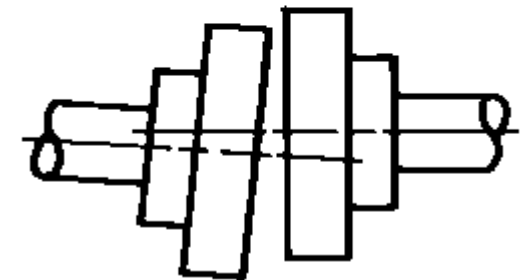
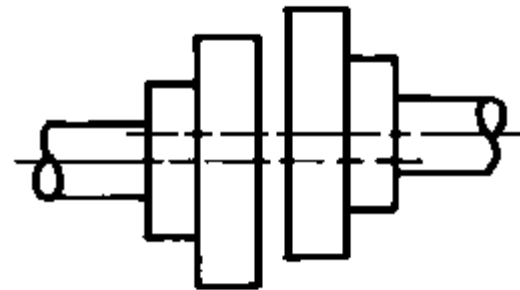
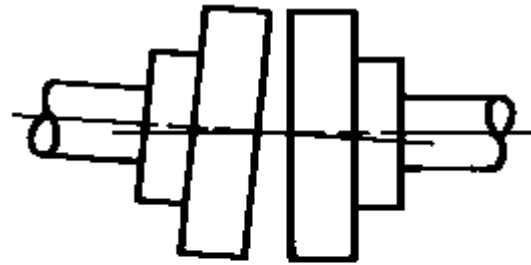


Fig. 2.5.1 Misalignments: Top, Angular; Center, Parallel; Bottom, Both.

Make the check for parallel alignment by placing a straight edge across both coupling halves at the top, bottom, and at both sides. The unit will be in parallel alignment when the straight edge rests evenly on the coupling halves at all positions. Allowance may be necessary for temperature changes and for coupling halves that DO NOT have the same outside diameter. Take care to have the straight edge parallel to the axes of the shafts.

Correct angular and parallel misalignment by placing shims under the mounting feet of the equipment. After each change, it is necessary to recheck the alignment of the coupling halves. Adjustment in one direction may disturb adjustments already made in another direction.

BELTS AND SHEAVES

Some applications on gear pumps involving low discharge pressure and slow speeds may permit the mounting of the driven sheave directly on the pump shaft. However, it is recommended that all belt drive assemblies be designed with a separate jackshaft mounted on pillow blocks to carry the side loads of the sheaves and belts and a flexible coupling connecting the jackshaft to the pump shaft.



Make sure there is no chance of the driver becoming energized while aligning and adjusting the belts. Getting caught in rotating parts of the drive system will cause serious personal injury or death. DO NOT start or operate pump without guards in place.



WARNING! DO NOT operate without guards in place.

The driver and pump shafts must be parallel, and the belts at right angles to these shafts.

Misalignment will cause undue belt wear, or turn-over in the grooves. Approximate alignment should be checked by placing a long straight edge evenly across the rims of both sheaves. If the faces of the sheaves are not of equal width, the alignment may be checked by resting the straight edge across the rim of the widest sheave and measuring the distance from the straight edge to the nearest belt groove with a scale. Adjust either sheave on the shaft to equalize these dimensions.

The driver should be mounted with adequate provision for belt center distance adjustment. Provide a minus adjustment to permit belt installation without stretching and a plus allowance to provide belt take-up.

DO NOT pry, twist, or force the belts over the sheave grooves. This will damage the belts and greatly reduce the belt life. Shorten the drive by moving the driver enough to permit fitting the belts in the proper grooves. When the belts are in place, increase the center distance until proper belt tension is obtained. Adjust take-up until only a slight bow appears on the slack side of the drive when it is operating. All the belts must be pulling evenly. Belt tension should be reasonable. It is not necessary to have belts excessively tight.

During the first few days of operation, the belts will seat themselves in the sheave grooves. After that, the drive must be adjusted to take up the slack. Slipping belts will result in lowered capacity. Squealing or smoking belts are sometimes a clue to the slipping of belts.

Keep belts clean and free from oil. Stop drive to clean belts. **DO NOT** attempt to clean belts while the drive is operating. Clean oily belts with a cloth dampened with soap and water. Never install new belts on the same drive with used belts. **DO NOT** use sheaves with chipped or worn grooves. For hazardous locations, check to see if an antistatic belt should be used. When purchasing replacement belts, the same size and type should be ordered as furnished originally.

POWER TAKE-OFF DRIVE SYSTEMS

When mounting a pump on a vehicle with a PTO drive, always check with the manufacturer of the PTO equipment to determine the alignment required for proper operation of the PTO. The mount for the pump must be rigid. The pump must be mounted the way it was designed to be mounted. Pumps with feet must be mounted by the feet. **DO NOT** use the pump ports to mount a pump that has feet. It is acceptable to mount a foot mounted pump in the three, nine, or twelve o'clock position as well as the standard six o'clock position as long as proper shaft alignment is maintained.



Make sure there is no chance of the driver becoming energized while aligning the power take-off shafting. Getting caught in a power take-off drive system will cause serious injury or death. Proper guarding must be provided for all power take-off drive systems.



WARNING! DO NOT operate without guards in place.

Serious injuries and deaths have resulted from persons becoming caught in power take-off (PTO) drive systems. Loose or dangling clothing and slippery or unsure footing are factors in many PTO accidents. **DO NOT** work on or adjust a pump driven by a PTO drive system while it is operating or has a chance of the driver becoming energized except as specified in the section titled, **DIRECTION OF ROTATION and RELIEF VALVES.**

Unless properly designed, guarded, and maintained, all drive systems are dangerous.

- **DO** be careful near rotating PTO drive systems. Contacting a PTO drive system may cause serious injury or death.
- **DO** install and maintain proper guard(s) for PTO drive systems.
- **DO NOT** operate PTO drive systems without proper guards in place.
- **DO NOT** work on or adjust a pump driven by a PTO drive system while it is operating or has a chance of the driver becoming energized except as specified in the section titled, **DIRECTION OF ROTATION AND RELIEF VALVES.**
- **DO NOT** work on a PTO drive system while it may become energized.
- **DO NOT** wear loose or dangling clothing or jewelry near the equipment. It could become caught and possible cause serious injury or death.

GUARDING PTO DRIVE SHAFTS

PTO drive systems can be dangerous and when used, additional safety precautions, including guarding, may be required and must be provided by the drive system installer. Roper Pump Company has no responsibility for recommending or providing proper guarding or other safety measures in any particular application.

The installation of proper guards for the power take-off and its associated equipment is the responsibility of the drive system designer and the installer who know the particular product application and the user's exposure to danger. *The ultimate responsibility for the safe application and installation is the user's.*

SPECIAL PRECAUTIONS FOR HYDRAULIC DRIVES

Avoid contact with high pressure fluids. Check all hydraulic hoses.

Hydraulic hoses can fail due to physical damage, kinks, age, and exposure. Check hoses regularly. Replace damaged hoses.



WARNING! AVOID CONTACT with high pressure fluids.

! WARNING

Escaping fluid under pressure can penetrate the skin causing serious injury. Avoid the hazard by relieving pressure before disconnecting hydraulic or other lines. Tighten all connections before applying pressure. Search for leaks with a piece of cardboard. Protect hands and body from high pressure fluids.

If an accident occurs, see a doctor immediately. Any fluid injected into the skin must be surgically removed within a few hours or gangrene may result. Doctors unfamiliar with this type injury should reference a knowledgeable source.

! WARNING

An overload or kickdown valve in a hydraulic drive system is **NOT** a safe substitute for a pressure relief valve correctly installed in the pump piping system.

2.6 ADDITIONAL IMPORTANT WARNINGS AND INFORMATION

- *This manual contains general information concerning the use, inspection, adjustment, testing, and safety considerations of the pump furnished. Other precautions and safety measures may be appropriate depending on the particular application and installation and are the responsibility of the product installer and user. Installers and users of this pump must have sufficient knowledge and training to apply sound safety and operating practices that may not be mentioned in the manual, and the sale of this pump is in reliance on such installer and user knowledge and training.*
 - ROPER® pumps are general purpose pumps for a wide range of uses; yet, *they are not designed nor intended for use with every known substance.* Maximum ratings are shown in the section titled, **MAXIMUM PUMP RATINGS.** ROPER® sales brochures contain standard ratings. Ratings for SPECification number pumps or standard pumps may be obtained by contacting Roper Pump Company or an authorized distributor.
 - Review this manual to determine the proper union of the pump into the total plant or system operating programs.
 - *Roper Pump Company does not supply, recommend, or approve the systems in which its pumps are or may be used.* Unless designed, built, and used properly, systems may be unsafe or dangerous. Installers and users should check and comply with all applicable federal, state, local, and other regulations and recommendations such as: NFPA, UL, OSHA, API, etc.
- In particular, installers and users must check the pumped liquid properties and take proper precautions. Among other things, consider the following:
- Decide the results of spillage or leakage (all pumps or systems may fail sometime).

- Explosion
- Corrosion
- Chemical Burns
- High Pressure Spray
- Toxic Exposure
- Fire
- Exposure to Extreme Temperatures
- Environmental Impact
- System Impact
- Other
- Are proper safeguards being used?
 - Temperature Controls
 - Pressure Controls
 - Leak Detectors
 - Shutoff Devices
 - High or Low Pressure Safeguards
 - Alarm Devices
 - Overfill or Overflow Detection
 - Driver Overload Controls
 - Consider all possible methods and series of failure.
 - Are any other methods needed to control a hazard?
 - Regular scheduled inspection for the wear and tear of parts.
- Identify all possible hazards. Decide upon and install the required controls. Only the installer and user can fully understand the product and system characteristics. *The ultimate responsibility for the safety of the application and the system characteristics is with the installer and user.*
- Particularly note the chance of fire and burns from flammable or hot liquid spillage from burst hoses and take proper precautions.
- Properly guard all exposed rotating parts of the drive to the pump.

- Install a pressure relieving device in the system discharge piping to protect the equipment and crew from accident due to too much pressure. **NEVER** place a shutoff valve between the pump and system relief valve. Read Section 2.3, **PREOPERATION CHECKS.**
- Spillage or overflow, from overfilling or putting too much pressure on any component of a system incorporating this pump, may result in an accident. Proper measures and precautions must be taken to avoid spillage or overflow from overfilling or putting too much pressure on any component of the system. This includes the receiver and lines.

Prior to starting pump, read sections on **PREPARATION OF FOUNDATION; ALIGNING DRIVER AND PUMP; INSTALLATION OF PIPES; THREADED PORT CONNECTIONS;** and **PREOPERATION CHECKS.**

2.7 INSTALLATION OF PIPES

- **DO NOT** connect raised face flanges to the ports of a cast iron pump.
- **DO** use flat-faced flanges with cast iron pumps.

Piping must be installed and checked carefully. Allow for any expansion or contraction.

Any external force or moment (torque or twist) applied on the pump ports by the piping will cause stresses in the pump and its foundation. This may cause misalignment that could result in hot bearings, worn couplings, or excessive vibration. Such forces or moments may be caused by improperly aligned piping or by thermal expansion of the piping when pumping hot or cold fluids. The piping should be supported independently. Use flexible piping connectors and insure that they are properly anchored.

If an expansion joint is installed in the piping between the pump and the nearest point of anchor in the piping, a force equal to the area of the expansion joint (which may be considerably larger than the normal pipe size) times the pressure in the pipe will be transmitted directly to the pump. Pipe couplings that **DO NOT** provide an axially rigid connection have the same effect. This reaction force can be so large that it would be impractical to design suitable components to withstand the force. If an expansion joint or nonrigid coupling is used, install a pipe anchor between it and the pump. If properly installed, this will eliminate the forces mentioned above.

The pump port size does not necessarily establish the correct pipe size. Piping must be sized and arranged to provide ample inlet pressure at the pump and to insure that the discharge pressure will be at least as low as the rated pressure of the pump. If the fluid to be pumped is viscous, or the piping long, or the suction lift or static discharge head somewhat high, piping one or two sizes larger may be required. Friction losses should be carefully calculated (see Hydraulic Institute Engineering Data Book or similar authority for friction loss data) and compared to the pump ratings before the installation is made. Where valves are used in the piping system, gate, ball, or butterfly valves are preferable to globe or angle valves. 90° long radius elbows or 45° elbows are preferable to standard short radius elbows. **NEVER** place a valve between the pump and system relief valve.

2.8 THREADED PORT CONNECTIONS

American National Standard Taper Pipe Threads (NPT) are standard for pipe plugs and threaded ports of the pump ports. British Standard Pipe Threads (BSP) are available on request for most sizes.

To produce a pressure tight joint, a thread sealant must be used. TFE tape is generally not recommended where cast iron is used as one or more parts of the joint. The use of TFE

tape for installing cast iron fillings may cause damage to the pump or fittings.

The following is a partial list of sealants that may be used when making up joints on the pump:

- PST Pipe Sealant No. 567 – Loctite Corp.
- Rectorseal No. 5 – The Rectorseal Corp.
- Leak Lock – Highside Chemical, Inc.

Follow the sealant manufacturer's instructions when making up a joint.

2.9 CHECKING PUMP PERFORMANCE

A summary of the causes of common malfunctions.

| PROBLEM | POSSIBLE CAUSES |
|--------------------------------------|---|
| NO LIQUID DELIVERED | Pump rotating in wrong direction. |
| | Pump not primed. |
| | Inlet lift too high. Check this with gauge at pump inlet. |
| | Clogged inlet line. |
| | Inlet pipe not submerged. |
| | Air leaks in inlet line. |
| | Faulty pressure relief device in system. |
| | Pump Worn. |
| RAPID WEAR | Excessive pressure. |
| | Nonlubricating liquid. |
| | Pump runs dry. |
| | Incompatibility of liquid and pump materials. |
| | Pipe strain on pump. See Section 2.7, Installation of Pipes. |
| | Excessive abrasives in liquid. |
| EXCESSIVE NOISE | Starved Pump. |
| | Air leaks in inlet line. |
| | Air or gases in liquid. |
| | Pump speed too high. |
| | Relief valve chatter. Check pressure setting. |
| | Improper mounting. Check alignment thoroughly. |
| | See Section 2.4, Aligning Driver and Pump and Section 2.5, Preparation of Foundation. |
| PUMP TAKES TOO MUCH POWER | Speed too high. |
| | Liquid more viscous than previously anticipated. |
| | Operating pressure higher than specified. |
| | Check this with gauge at pump discharge. |
| | Discharge line obstructed. |
| | Mechanical defect, such as bent shaft. |
| | Pipe strain on pump. See Section 2.7, Installation of Pipes. |
| | Pressure relief device not operating properly. |
| Air leaks in inlet line. | |
| INSUFFICIENT LIQUID DELIVERED | Air leaks through mechanical seal. |
| | Speed too slow. |
| | Excessive lift at inlet. Check this with gauge at pump inlet. |
| | Viscosity of liquid too high for size and length of inlet pipe. |
| | Foot valve, if used, too small, stuck, or not working properly. |
| | Foot valve or end of inlet pipe not immersed deeply enough in liquid. |
| | Excessive clearance in pump caused by wear or corrosion. |
| | Faulty pressure relief device. |

2.10 REPLACEMENT PARTS

Repair parts can be ordered from your nearest authorized distributor. For the location of a distributor near you, contact Roper Pump Company. **DO NOT** order repair parts by their key number. Order by ROPER® part number only and include the nameplate data for aid in identification. Repair parts lists depicting ROPER® part numbers are available for most pumps.

- *Roper Pump Company assumes no responsibility for parts other than those supplied by Roper Pump Company.* The use of substitutes may result in poor performance or in an accident causing physical damage or injury to personnel.
- **WARNING!** Only use genuine ROPER® gaskets. Gasket thickness determines proper clearances. Always check quantity of gaskets removed and replace with exact quantity. Proper material must be used based on application.

SERVICE NOTES

2.11 INDEX

A

Aligning Shafts

- Belts and Sheaves, 2 - 7
- Flexible Coupling, 2 - 5 through 2 - 7
- Power Take-Off, 2 - 8
- Pump and Driver, 2 - 5 through 2 - 8

F

- Foundation, 2 - 4 through 2 - 5

G

- Guarding Power Take-Off Shafts, 2 - 8

I

- Installation of Pipes, 2 - 10 through 2 - 11

P

- Pipe Installation, 2 - 10 through 2 - 11
- Pipe Threads - Threaded Port Connections, 2 - 11
- Preoperation Checks, 2 - 3 through 2 - 4
- Problems and Causes, 2 - 12

R

- Replacement Parts, 2 - 13

S

- Safety Precautions, 2 - 2 through 2 - 3, 2 - 9 through 2 - 10

T

- Threaded Port Connections, 2 - 11

Section 3.0

TABLE OF CONTENTS

| Section | | Page |
|----------------|--|-------------|
| 3.1 | Safety Signal Words and Symbols..... | 3 - 1 |
| 3.2 | Recommended Tool List..... | 3 - 1 |
| 3.3 | Truck Mounting | 3 - 1 |
| 3.4 | Direction of Rotation and Relief Valve | 3 - 2 |
| 3.5 | High Drive to Low Drive | 3 - 11 |
| 3.6 | Instructions for Draining Pump | 3 - 16 |
| 3.7 | Instructions for Pump Disassembly | 3 - 16 |
| 3.8 | Dimensional Data for Internal Parts | 3 - 17 |
| 3.9 | Instructions for Pump Assembly | 3 - 18 |
| 3.10 | Pump Sectional Drawing | 3 - 21 |
| 3.11 | Parts List | 3 - 22 |
| 3.12 | Common Maintenance Questions | 3 - 23 |
| 3.13 | Index | 3 - 25 |

3.1 SAFETY SIGNAL WORDS AND SYMBOLS

SAFETY SIGNAL WORDS

The safety signal words **CAUTION!**, **WARNING!**, **DANGER!**, and **TOXIC!** Have specific meanings in this manual.

CAUTION! Is used to identify hazards that may cause damage to property or equipment.

WARNING! Is used to identify hazards that may cause personal injury.

DANGER! Identifies the most serious hazards. **DANGER!** Is used to identify hazards that will cause personal injury or death.

TOXIC! Identifies hazards that involve materials that may cause death by contact, ingestion, or inhalation. **TOXIC!** Will always be used with the safety signal word **DANGER!**

3.2 RECOMMENDED TOOL LIST

NOTE: Tools not furnished with pump.

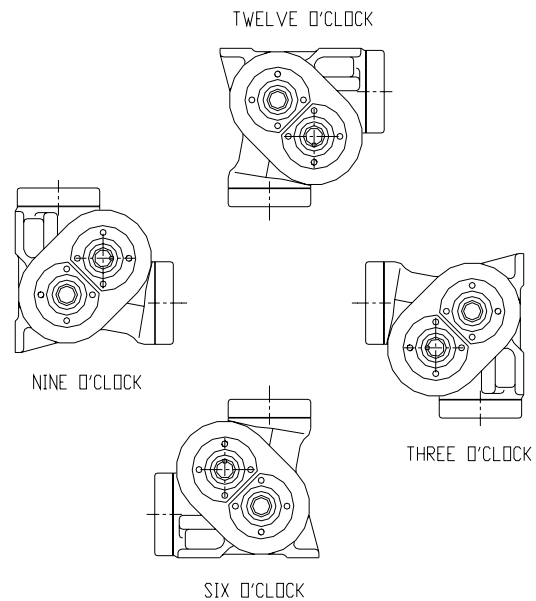
Tools for all Pumps:

- (1) Safety Glasses
- (1) Rubber Mallet
- (1) 9/16" Combination Wrench
- (1) 3/4" Combination Wrench
- (1) 1/8" Hex Key
- (1) Flat Tip Screwdriver, 1/4" wide x 4" long

3.3 TRUCK MOUNTING

The mounting pads for truck mounted pumps must be rigid and properly aligned with the driver. When PTO drives are used, always check with the manufacturer of the PTO equipment to determine the alignment required for proper operation of the PTO and the type of guarding that must be used. See Section 2.5, **ALIGNING DRIVER AND PUMP.**

The pumps are designed to be mounted by the feet. These pumps may be mounted with the feet in the three, nine, or twelve o'clock position as well as the standard six o'clock position.



MOUNTING POSITIONS

3.4 DIRECTION OF ROTATION AND RELIEF VALVES

RELIEF VALVE

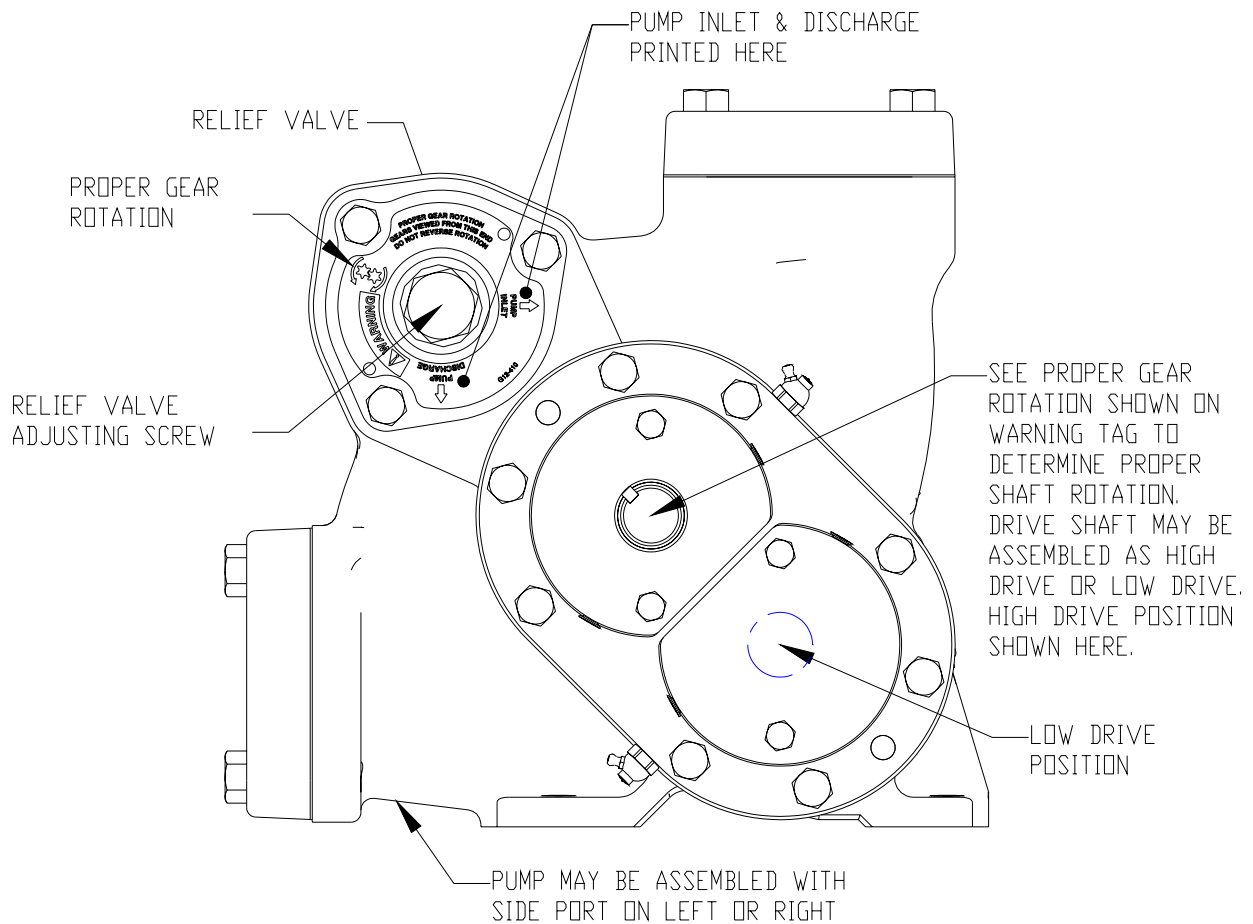
The relief valve is externally adjustable by means of an adjusting screw located in the center of the relief valve cap. The range of adjustment is approximately 30 psi [207 kPa] to 125 psi [862 kPa]. The actual capability is dependent on pump speed and liquid viscosity. The settings are for full bypass; that is, all of the fluid is circulating back to the inlet through the relief valve. The end user must set the relief valve for conditions that exactly match the application.



**DIRECTION OF ROTATION TAG
FIGURE 3.4.1**

RELIEF VALVE LOCATION

The relief valve may be located on either side of the case. The discharge port may be located on the top or either side of the case depending on the pump configuration and direction of the shaft rotation. Arrows on the tag will indicate which port is inlet and discharge.



**RELIEF VALVE LOCATION
FIGURE 3.4.2.**

PROPER PUMP GEAR ROTATION

Proper gear rotation is shown on the warning tags attached to the relief valve faceplate.



DO NOT REVERSE ROTATION

Reversing rotation of the pump without reversing the position of the relief valve will cause the relief valve to be inoperable. Discharge pressure will be holding the valve closed instead of pushing it open. Running the pump against the relief valve can cause very high pressure buildup on the discharge side of the pump and in the system downstream of the pump. High pressure can cause the pump or other system component to break or leak causing liquid in the system to escape resulting in possible injury or death.

PUMP INLET AND PUMP DISCHARGE

On the RV style pump, the “pump inlet” and “pump discharge” arrows will always point directly to the inlet and discharge ports on the pump.

An integral relief valve should not be used on applications where the discharge must be closed for more than one minute. Prolonged operation of the pump with the discharge closed will cause rapid heating of the liquid circulating through the relief valve, thus resulting in possible damage.

DIRECTION OF ROTATION FOR THE RELIEF VALVE

The drawings showing DIRECTION OF ROTATION FOR PUMPS WITH AND WITHOUT RELIEF VALVES (Figure 3.4.3.) and position of relief valve with the letter “L” in the designation are for low drive applications (the drive shaft is lower than the idler shaft). All other drawings shown are for high drive applications (the drive shaft is above the idler shaft).

The arrow in the drawing at the end of the drive shaft indicates the direction of rotation needed to achieve proper operation of the pump and relief valve when using the pump and relief valve orientation shown in the drawing. CW indicates clockwise rotations and CCW indicates counterclockwise rotation when viewed from the drive shaft end of the pump.

To determine the correct relief valve position for any of the pump orientations, use the drawings shown titled DIRECTION OF ROTATION FOR PUMPS WITH AND WITHOUT RELIEF VALVES (Figure 3.4.3).

1. Find the group of drawings with the proper drive shaft position (high or low drive). Drawings with W, Z, X, or Y rotation are high drive pumps. Drawings with LW, LZ, LX, or LY rotation are low drive pumps. Eliminate all other drawings.
2. In the drawings remaining, find the group of drawings with the proper direction of rotation arrow at the end of the drive shaft. Eliminate all other drawings. CW indicates clockwise rotation and CCW indicates counterclockwise rotation when viewed from the drive shaft end of the pump.
3. In the drawings remaining, find the group of drawings with the proper port positions (straight through or right angle). Eliminate all other drawings.

4. In the remaining drawings, find the drawing with the proper inlet and discharge port locations. This drawing will show the proper relief valve position for the pump configuration chosen. Note the position of the words "PUMP INLET" printed on the rotation plates fastened on the relief valve. The words "PUMP INLET" must point to the inlet port of the pump in order for the relief valve to work opposite.



DO NOT operate a pump with a relief valve that is not positioned correctly. The relief valve will be inoperable. This can allow high pressure buildup on the discharge side of the pump and in the system downstream of the pump. High pressure can cause the pump or any other system component to break or leak causing liquid in the system to escape, resulting in possible injury or death.

NOTE: The fact that the pump has the correct rotation and pumps liquid in the correct direction does not insure that the relief valve is installed in the correct position, or that it has the correct setting for the application.

DIRECTION OF ROTATION FOR PUMPS WITH AND WITHOUT RELIEF VALVES

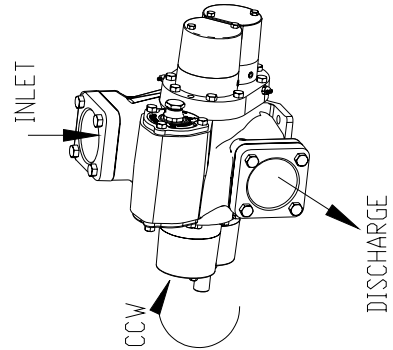
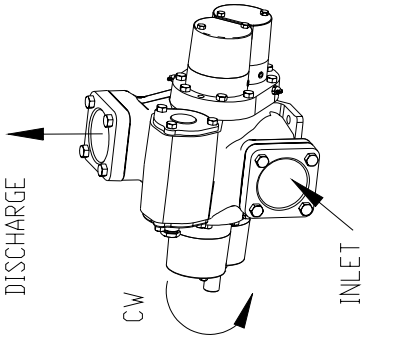
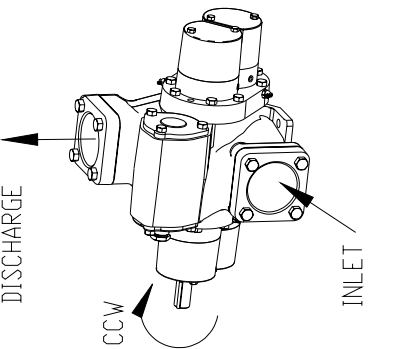
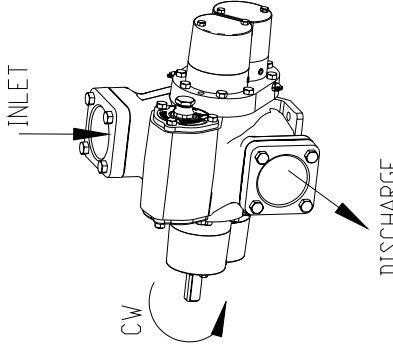
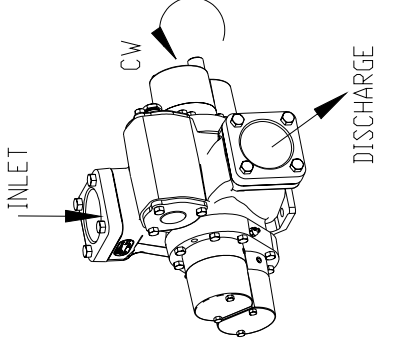
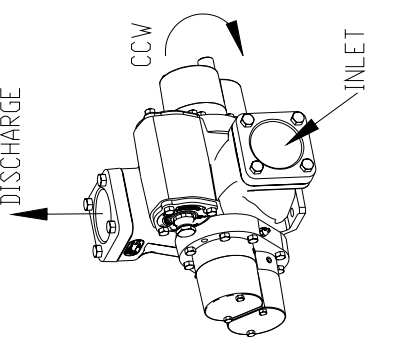
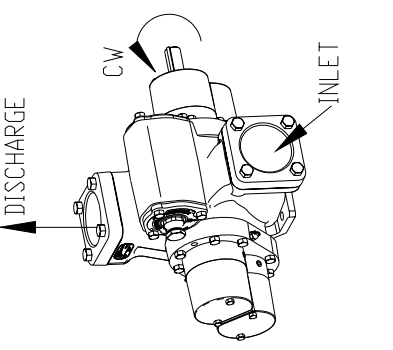
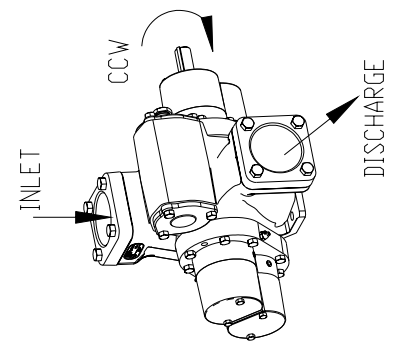
| | | | |
|----|---|----|--|
| LZ |  | LY |  |
| Z |  | Y |  |
| LW |  | LX |  |
| W |  | X |  |

FIGURE 3.4.3

CHANGING RELIEF VALVE POSITION

Refer to the sectional drawing (Figure 3.4.4).



DO NOT remove the relief valve cap (51A) without reading the instructions below for disassembling the relief valve. *The relief valve contains a powerful compressed spring (48A, 48B) that may cause injury or death if released suddenly.*

- **WARNING!** Relieve all internal fluid and air pressure inside the pump before disassembly.
- **WARNING!** Take necessary precautions to prevent the pump from rotating while working on the relief valve.
- **WARNING!** Fluid may spill out of the pump when the relief valve cap (51A or 51B) is removed. Take all necessary precautions to protect yourself, others and the nearby area from any harm this fluid may do.

You should have already checked the drawings (Figure 3.4.3) to find the correct way to position your relief valve, based on the pump's direction of shaft rotation and position and the location of the inlet and discharge ports. If you have not checked, do it now to decide whether or not you should change the position of your relief valve.

If the relief valve position needs to be changed, follow the instructions below and refer to Section 3.10, **PUMP SECTIONAL DRAWINGS** (Figure 3.10.1) and the **RV STYLE RELIEF VALVE** (Figure 3.4.4).

1. Turn off pump and lock out energy source to driver.
2. Close inlet and discharge valves.
3. To drain pump, follow the procedure in Section 3.6, **INSTRUCTIONS FOR DRAINING PUMP**.
4. Decrease pressure on springs (48A, 48B) by loosening lock and seal nut (52) and unscrewing adjusting screw (53) until adjusting screw turns freely.
5. After decreasing pressure on spring (48A, 48B), remove the relief valve cap (51A) by unscrewing three hex head cap screws (55). Remove o-ring (50).
6. Remove poppet/spring guide (46), spring (48A, 48B), and the other poppet/spring guide (46).
7. Remove the blind relief valve cap (51B) by unscrewing three hex head cap screws (55). Remove o-ring (50).
8. Move the blind relief valve cap (51B) and o-ring (50) to the opposite side of case and install three hex head cap screws (55).
9. On opposite side of case (1), install poppet/spring guide (46) making sure that angled side is against the relief valve seat.
10. Install spring (48A, 48B) into case (1) making sure that spring is centered on poppet/spring guide (46).
11. Place pilot of poppet/spring guide (46) into I.D. of spring (48A, 48B).
12. Screw adjusting screw (53) with lock and seal nut (52) assembled into hole in relief valve cap (51A).
13. Replace o-ring (50) on relief valve cap (51A).

14. Place small end of adjusting screw (53) in hole in spring guide (46) and secure relief valve cap (51A) to case (1) using three hex head cap screws (55).
15. Check Direction of Rotation Tag on relief valve cap (51A) to make sure inlet and discharge ports are in desired location. If ports are not in desired location, return to **DIRECTION OF ROTATION FOR THE RELIEF VALVE** (page 3-4).
16. Adjust relief valve by following steps in section on how to **ADJUST THE RELIEF VALVE**.

DISASSEMBLY OF RELIEF VALVE

Refer to the sectional drawing (Figure 3.4.4).



DO NOT remove the relief valve cap (51A) without reading the instructions below on disassembling the valve. The relief valve contains a powerful spring (48A, 48B) that may cause injury or death if released suddenly.

- **WARNING!** Relieve all internal fluid and air pressure inside the pump before beginning disassembly.
- **WARNING!** Take necessary precautions to prevent the pump from rotating while working on the relief valve.
- **WARNING!** Fluid may spill out of the pump when the relief valve cap (51A or 55) is removed. Take all necessary precautions to protect yourself, others, and the nearby area from any harm this fluid may do.

Refer to Section 3.10, **PUMP SECTIONAL DRAWINGS** (figure 3.10.1) and the **RELIEF VALVE** (figure 3.4.4) for correct pump configuration.

1. Turn off pump and lock out energy source to driver.
2. Close inlet and discharge valves.
3. To drain pump, follow the procedure in Section 3.6, **INSTRUCTIONS FOR DRAINING PUMP**.
4. Decrease pressure on spring (48A, 48B) by loosening lock and seal nut (52) and unscrewing adjusting screw (53) until adjusting screw turns freely.
5. After decreasing pressure on spring (48A, 48B), remove the relief valve cap (51A) by unscrewing three hex head cap screws (55). Remove o-ring (50).
6. Remove poppet/spring guide (46), spring (48a, 48B), and the other poppet/spring guide (46).
7. Inspect all parts and replace worn or damaged parts as required.

ASSEMBLY OF RV STYLE RELIEF VALVE

1. Install poppet/spring guide (46) into case (1) making sure that angled side is against the relief valve seat.
2. Install spring (48A, 48B) into case (1) making sure that spring is centered on poppet/spring guide (46).
3. Place pilot of poppet/spring guide (46) into I.D. of spring (48A, 48B).
4. Screw adjusting screw (53) with lock and seal nut (52) assembled into hole in relief valve cap (51A).

5. Replace o-ring (50) on relief valve cap (51A).
6. Place small end of adjusting screw (53) in hole in spring guide (46) and secure relief valve cap (51A) to case (1) using three hex head cap screws (55).
7. Adjust relief valve by following steps in next section on how to **ADJUST THE RELIEF VALVE**.

TO ADJUST THE RELIEF VALVE

Refer to the sectional drawing, Figure 3.4.4., **RELIEF VALVE**.

- **WARNING!** Take necessary precautions to prevent personal injury or physical damage that could be caused by any loss of the product being pumped while adjusting the relief valve. **DO NOT** adjust the relief valve without coupling guards in place.

The relief valve must be adjusted under conditions identical to the operating conditions (viscosity, rpm, etc.).

1. Connect a pressure gauge near pump in discharge line between pump and point where discharge line will be closed.
2. Loosen locknut (52) on the adjusting screw (53).
3. Back adjusting screw (53) out to point where end of adjusting screw will be 1-1/2 inches [38mm] from relief valve cap (51A). See **RELIEF VALVE** (Figure 3.4.4).
4. **WARNING! DO NOT** start the pump until all rotating shafts and couplings are properly guarded. After all rotating shafts and couplings are properly guarded, start the pump and close the discharge line slowly. **DO NOT** exceed the pressure rating of pump or other equipment between the pump and the

discharge line valve. If this pressure is reached while closing the discharge valve, **DO NOT** close any further. **DO NOT** run the pump with a closed discharge line for more than one minute at a time because it will result in rapid overheating.

5. With discharge valve closed, turn adjusting screw clockwise in ½ turn increments until pressure gauge shows desire pressure setting.
6. Tighten locknut (52).
7. Open discharge line and turn off pump.

RELIEF VALVE

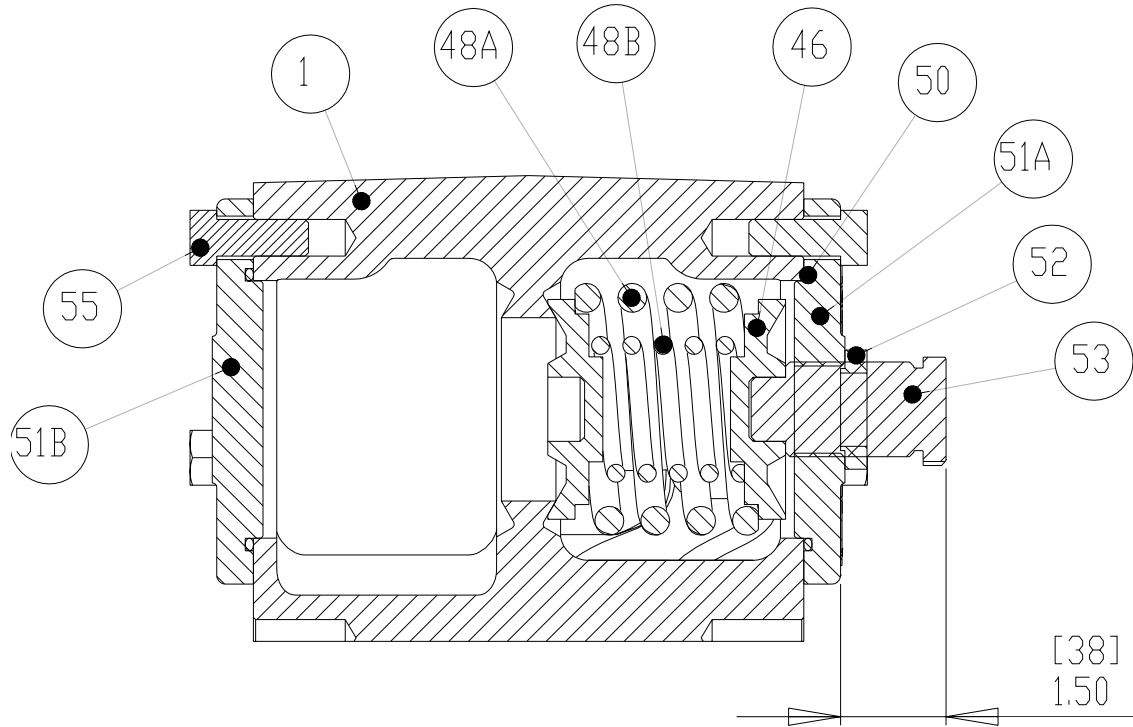


Figure 3.4.4

3.5 HIGH DRIVE TO LOW DRIVE

Prior to operating pump, make sure that the shaft rotation, pipe connections, and the relief valve position are in accordance with the appropriate illustrations (Figure 3.4.1). In order to change the rotation and/or piping orientation, it may be necessary to remove the piping from the pump or the pump from the mounting. (Fittings and flange gaskets, when provided, can be removed from pump.)

Whenever changing rotation, inspect all parts before reassembly. Replace all worn parts and install new gaskets in appropriate numbers as removed.

1. Remove coupling or universal joint and drive key (70) from drive shaft (72). Remove all burrs and sharp edges from drive shaft and keyway.
2. To reverse pump rotation and keep piping arrangement the same, drive shaft (72) position must be changed. Follow steps 3 - 24.

To reverse pump rotation and leave drive shaft (72) and case (1) in same position; liquid flow through pump will be reversed. Follow steps 25 - 39.

To change port to opposite side on pumps with right angle port arrangement and maintain same pump rotation, follow steps 40 - 63.

To change port to opposite side, maintain same pump rotation and drive shaft (72) in same position; liquid flow through pump will be reversed. Follow steps 64 - 101.

REVERSE ROTATION, SAME PIPING ARRANGEMENT

3. To reverse pump rotation and keep piping arrangement the same, it is

necessary to change from high drive to low drive or low drive to high drive (W to LX, X to LW, Z to LY, Y to LZ).

4. Remove key (70) from drive shaft (72).
5. Remove two hex head cap screws (94) from each of four bearing housings (30A and 30B).
6. Slide four bearing housings (30A and 30B) and bearing housing gaskets (31) off of bearings. Two holes are tapped for use with a puller if necessary.
7. Loosen and back out, approximately half way, two set screws in each of eight bearings (34).
8. Slide each of four outer-most bearings (34) off of shafts (72 and 73).
9. Remove two socket head cap screws (80) from inner bearing housings (30C).
10. Slide four inner bearing housings (30C), four ball bearings (34), four lip seals (88B), and four bearing housing gaskets (31) off of shafts (72 and 73). Two holes are tapped for use with a puller, if necessary. Puller should be bolted to bearing housing and push against end of shaft. Do not remove seals from bearing housings.
11. Remove eight hex head cap screws (22) from both endplates.
12. Slide both endplates (20) off of shafts (72 and 73). Do not remove seals from endplates.
13. Switch drive gear/shaft (72 and 74) and idler gear/shaft (73 and 75) positions in case (1).
14. Position appropriate number of case gaskets (5) on case (1) (oil or grease may be used to hold gaskets in place).
15. Liberally grease all four shaft surfaces.
16. **Gently** slide endplates into position over shafts and onto dowel pins (4). **Take**

care not to damage or reverse lip seals (88A, 88B) when installing endplates.

17. Install and tighten eight hex head cap screws (22) in both endplates.
18. Position bearing housing gaskets (93A) on inner bearing housings (30C).
19. Slip inner bearing housings (30C) into position on endplates and attach using two socket hex head cap screws (80) in each of the four housings.
20. Remove one set screw from each of four inner ball bearings (34) and back out second set screw in each bearing so that set screw will clear shaft OD. Apply anti-seize compound to shaft OD and bearing OD.
21. With bearing set screws on outboard side of bearing, slide each inner ball bearing (34) onto shaft and into bearing housing. Look through bearing set-screw hole to position set screw directly over second groove from end of each shaft. Tighten first set screw of each bearing. Install second set screw in each of four inner ball bearings and tighten.
22. With bearing set screws on inboard side of bearing, slide each outer ball bearing (34) onto shaft. Look through bearing set-screw hole to position set screw directly over first groove from end of each shaft. Tighten first set screw of each bearing. Install second set screw in each of four outer ball bearings and tighten.
23. Place outer bearing housing gasket (31) over bearings and against face of inner bearing housing (30C). Apply anti-seize compound to bearing OD.
24. Slide outer bearing housings over shafts and bearing and install and tighten two hex head cap screws in each of the four outer bearing housings (30A, 30B).

REVERSE ROTATION, SAME DRIVE SHAFT AND CASE ARRANGEMENT

25. To reverse flow of liquid through pump ports, reverse rotation of drive shaft (72), maintain the original positions of the drive shaft and case (1) (W to X, LW to LX, Z to Y, LX to LY).
26. On pumps with relief valve, relief valve must be removed from case and re-installed on opposite side of case. Follow steps 25 – 38 to change the relief valve position.
27. Decrease pressure on spring (48A, 48B) loosening lock and seal nut (52) and unscrewing adjusting screw (53) until adjusting screw turns freely.
28. After decreasing pressure on spring (48A, 48B), remove the relief valve cap (51A) by removing three hex head cap screws (55). Remove o-ring (50).
29. Remove poppet/spring guide (46), spring (48A, 48B), and the other poppet/spring guide (46).
30. Remove the blind relief valve cap (51B) by removing three hex head cap screws (55). Remove o-ring (50).
31. Move blind relief valve cap (51B) and o-ring (50) to the opposite side of case and install three hex head cap screws (55).
32. On opposite side of case (1) install poppet/spring guide (46) making sure that angled side is against the relief valve seat.
33. Install spring (48A, 48B) making sure that spring is centered on poppet/spring guide (46).
34. Place pilot of poppet/spring guide (46) into I.D. of spring (48A, 48B).
35. Screw adjusting screw (53) with lock and seal nut (52) assembled into hole in relief valve cap (51A).
36. Replace o-ring (50) on relief valve cap (51A).

37. Place small end of adjusting screw (53) in hole in spring guide (46) and secure relief valve cap (51A) using three hex head cap screws (55).
38. Check Direction of Rotation Tag on relief valve cap (51A) to make sure inlet and discharge ports are in desired location. If ports are not in desired location, return to DIRECTION OF ROTATION FOR THE RELIEF VALVE (page 3-4).
39. Adjust relief valve by following steps in section on how to ADJUST THE RELIEF VALVE.

CHANGE PORT AND DRIVE SHAFT LOCATION, SAME ROTATION

40. To change the port to the opposite side and maintain same pump rotation, change drive shaft (72) from high drive to low drive (W to LY, Y to LW, Z to LX, X to LZ) or vice versa.
41. Remove key (70) from drive shaft (72).
42. Remove two hex head cap screws (84) from each of four bearing housings (30A and 30B).
43. Slide four bearing housings (30A and 30B) and bearing housing gaskets (31) off of bearings. Two holes are tapped for use with a puller if necessary.
44. Loosen and back out, approximately half way, two set screws in each of eight bearings (34).
45. Slide each of four outer-most bearings (34) off of shafts (72 and 73).
46. Remove two socket head cap screws (80) from inner bearing housings (30C).
47. Slide four inner bearing housings (30C), four ball bearings (34), four lip seals (88A, 88B), and four bearing housing gaskets (93A) off of shafts (72 and 73). Two holes are tapped for use with a puller if necessary. Puller should be

bolted to bearing housing and push against end of shaft. Do not remove seals from bearing housings.

48. Remove eight hex head cap screws (22) from both endplates.
49. Slide both endplates (20) off of shafts (72 and 73). Do not remove seals from endplates.
50. Remove the drive gear/shaft (72 and 74) and idler gear/shaft (73 and 75) from the case (1).
51. Rotate the case 180°, (front to back).
52. Switch drive gear/shaft (72 and 74) and idler gear/shaft (73 and 75) positions in case (1).
53. Position appropriate number of case gaskets (5) on case (1) (oil or grease may be used to hold gaskets in place).
54. Liberally grease all four shaft surfaces.
55. **Gently** slide endplates into position over shafts and onto dowel pins (4). **Take care** not to damage or reverse lip seals (88A, 88B) when installing endplates.
56. Install and tighten eight hex head cap screws (22) in both endplates.
57. Position inner bearing housing gaskets (93A) on inner bearing housings (30C).
58. Slip inner bearing housings (30C) into position on endplates and attach using two socket head cap screws (80) in each of the four housings.
59. Remove one set screw from each of four inner ball bearings (34) and back out second set screw in each bearing so that set screw will clear shaft OD. Apply anti-seize compound to shaft OD and bearing OD.
60. With bearing set screws on outboard side of bearing, slide each inner ball bearing (34) onto shaft and inner bearing housing. Look through bearing set-screw hole to position set screw directly over second groove from end of

each shaft. Tighten first set screw of each bearing. Install second set screw in each of four inner ball bearings and tighten.

61. With bearing set screw on inboard side of bearing, slide each outer ball bearing (34) onto shaft. Look through bearing set-screw hole to position set screw directly over first groove from end of each shaft. Tighten first set screw of each bearing. Install second set screw in each of four outer ball bearings and tighten.
62. Place outer bearing housing gasket (31) over bearings and against face of inner bearing housing (30C). Apply anti-seize compound to bearing OD.
63. Slide outer bearing housings over shafts and bearing and install and tighten two hex head cap screws in each of the four outer bearing housings (30A, 30B).

SAME ROTATION, CHANGE PORT LOCATION, SAME DRIVE SHAFT LOCATION

64. To change the port to the opposite side, maintain same pump rotation and drive shaft (72) in same position; the flow of liquid through the pump will be reversed (W to Y, LW to LY, Z to X, LZ to LX) or vice versa.
65. Remove key (70) from drive shaft (72).
66. Remove two hex head cap screws (94) from each of four bearing housings (30A and 30B).
67. Slide four bearing housings (30A and 30B) and bearing housing gaskets (31) off of bearings. Two holes are tapped for use with a puller if necessary.
68. Loosen and back out, approximately half way, two set screws in each of eight bearings (34).
69. Slide each of four outer-most bearings (34) off of shafts (72 and 73).

70. Remove two socket head cap screws (80) from bearing housings (30C).
71. Slide four inner bearing housings (30C), four ball bearings (34), four lip seals (88A, 88B), and four bearing housing gaskets (93A) off of shafts (72 and 73). Two holes are tapped for use with a puller, if necessary. Puller should be bolted to bearing housing and push against end of shaft. Do not remove seals from bearing housings.
72. Remove eight hex head cap screws (22) from both endplates.
73. Slide both endplates (20) off of shafts (72,73). Do not remove seals from endplates.
74. Remove drive gear/shaft (72 and 74) from the case (1).
75. Rotate case 180°, (front to back).
76. Replace drive gear/shaft (72 and 74) and idler gear/shaft (73 and 75) in same position in case.
77. Position appropriate number of case gaskets (5) on case (1) (oil or grease may be used to hold gaskets in place).
78. Liberally grease all four shaft surfaces.
79. **Gently** slide endplates into position over shafts and onto dowel pins (4). **Take care** not to damage or reverse lip seals (88A, 88B) when installing endplates.
80. Install and tighten eight hex head cap screws (22) in both endplates.
81. Position inner bearing housing gaskets (93A) on inner bearing housings (30C).
82. Slip inner bearing housings (30C) into position on endplates and attach using two socket head cap screws (80) in each of the four bearing housings.
83. Remove one set screw from each of four inner ball bearings (34) and back out second set screw in each bearing so that set screw will clear shaft OD. Apply

anti-seize compound to shaft OD and bearing OD.

84. With bearing set screws on outboard side of bearing, slide each inner ball bearing (34) onto shaft and into inner bearing housing. Look through bearing set-screw hole to position set screw directly over second groove from end of each shaft. Tighten first set screw of each bearing. Install second set screw in each of four inner ball bearings and tighten.
85. With bearing set screws on inboard side of bearing, slide each outer ball bearing (34) onto shaft. Look through bearing set-screw hole to position set screw directly over first groove from end of each shaft. Tighten first set screw of each bearing. Install second set screw in each of four outer ball bearings and tighten.
86. Place outer bearing housing (31) over bearings and against face of inner bearing housing (30C). Apply anti-seize compound to bearing OD.
87. Slide outer bearing housings over shafts and bearing and install and tighten two hex head cap screws in each of the four outer bearing housings (30A, 30B).
88. On pumps with relief valve, relief valve must be removed from case and re-installed on opposite side of case. Follow steps 88 through 100 to change the relief valve position.
89. Decrease pressure on spring (48A, 48B) by loosening lock and seal nut (52) and unscrewing adjusting screw (53) until adjusting screw turn freely.
90. After decreasing pressure on spring (48A, 48B), remove the relief valve cap (51A) by removing three hex head cap screws (55). Remove o-ring (50).
91. Remove poppet/spring guide (46), spring (48A, 48B), and the other poppet/spring guide (46).
92. Remove the blind relief valve cap (51B) by removing three hex head cap screws (55). Remove o-ring (50).
93. Move blind relief valve cap (51B) and o-ring (50) to the opposite side of case and install three hex head cap screws (55).
94. On opposite side of case (1) install poppet/spring guide (46) making sure that angled side is against the relief valve seat.
95. Install spring (48A, 48B) making sure that spring is centered on poppet/spring guide (46).
96. Place pilot of poppet/spring guide (46) into I.D. of spring (48A, 48B).
97. Screw adjusting screw (53) with lock and seal nut (52) assembled into hole in relief valve cap (51A).
98. Replace o-ring (50) on relief valve cap (51A).
99. Place small end of adjusting screw (53) in hole in spring guide (46) and secure relief valve cap (51A) using three hex head cap screws (55).
100. Check Direction of Rotation Tag on relief valve cap (51A) to make sure inlet and discharge ports are in desired location. If ports are not in desired location, return to DIRECTION OF ROTATION FOR THE RELIEF VALVE (page 3-4).
101. Adjust relief valve by following steps in section on how to ADJUST THE RELIEF VALVE.

3.6 INSTRUCTIONS FOR DRAINING PUMP

Refer to Section 3.10, **PUMP SECTIONAL DRAWING**.



- **WARNING!** Relieve all internal fluid and air pressure inside the pump before attempting to drain the pump.
- **WARNING!** Take necessary precautions to prevent the pump from becoming energized while draining the pump.
- **WARNING!** Take necessary precautions to prevent injury or physical damage that could be caused by any loss of the product being pumped while draining the pump.

The extent to which a pump can be drained is dependent upon the product being pumped. Low viscosity products such as solvents will drain quickly and easily. High viscosity products such as molasses and tar will drain very slowly. Also, the draining of high viscosity products will be less complete.

Regardless of the product pumped, the areas at the blind end of the bearing bores and the mechanical seal chamber will not drain.

1. Refer to Section 2.0 and read sections on **SAFETY PRECAUTIONS** and **ADDITIONAL IMPORTANT WARNINGS AND INFORMATION** before starting procedures.
2. Loosen eight hex head cap screws (22) securing faceplate to allow a gap of 1/32

of an inch [.76 mm] between faceplate and case (1) for draining.

3. Rotate drive shaft very slowly by hand. Each time that flow from drain increases, stop turning shaft until flow stops; then resume until flow increases again. Be sure to rotate shaft several complete revolutions in each direction until all flow from drain has stopped.
4. After draining has been completed, examine case gaskets (5) making sure gasket is not torn prior to tightening the eight hex head cap screws (22). If gasket is torn or further disassembly is required, follow steps in Section 3.7, **INSTRUCTIONS FOR PUMP DISASSEMBLY** to replace gaskets.

3.7 INSTRUCTIONS FOR PUMP DISASSEMBLY

Refer to Section 3.10, **PUMP SECTIONAL DRAWING**.

1. Read Section 2.0 on **SAFETY PRECAUTIONS** and **ADDITIONAL IMPORTANT WARNINGS AND INFORMATION** before starting to disassemble pump. While disassembling pump, always inspect disassembled parts and adjacent parts to see if further disassembly is needed. Replace worn or damaged parts as required. Read Section 2.0, **REPLACEMENT PARTS**.
2. If you do not know which pump arrangement you have, collect nameplate data and refer to Section 1.0, **NAMEPLATE DATA**, to determine what you have. Consult Roper Pump Company or an authorized distributor if you have any questions.
3. When cleaning or lubricating, use only cleaning solutions and lubricants that are compatible with products being pumped and with sealing elastomers.

DO NOT use petroleum base products with seals with EPR elastomers. Use a nonpetroleum based lubricant with EPR elastomers.

4. Turn off pump and lock out energy source to driver. **DO NOT** proceed further with disassembly of pump if there is the slightest possibility that driver may be started.
5. Close inlet and discharge valves.
6. Remove guard and disconnect coupling between driver and pump.
7. Drain inlet and discharge lines. Disconnect lines from pump inlet and discharge.
8. Follow the procedure in Section 3.6, **INSTRUCTIONS FOR DRAINING PUMP**.
9. Remove key (70) from drive shaft (72).
10. Remove two hex head cap screws (94) from each of four outer bearing housings (30A and 30B).
11. Slide four outer bearing housings (30A and 30B) and bearing housing gaskets (31) off of bearings. Two holes are tapped for use with a puller if necessary.
12. Remove lip seal (32) from bearing housing (30A).
13. Loosen and back out, approximately half way, two set screws in each of eight bearings (34).
14. Slide each of four outer-most bearings (34) off of shafts (72 and 73).
15. Remove two socket head cap screws (80) from inner bearing housings (30C).
16. Slide four inner bearing housings (30C), four ball bearings (34), four lip seals (88A, 88B), and four bearing housing gaskets (93A) off of shafts (72 and 73). Two holes are tapped for use with a puller, if necessary. Puller should be

bolted to bearing housing and push against end of shaft. Do not remove seals from bearing housings.

17. Remove four lip seals (88A, 88B), four ball bearings (34), and four bearing housing gaskets (93A) from inner bearing housings (30C).
18. Remove eight hex head cap screws (22) from both endplates.
19. Slide both endplates (20) off of shafts (72 and 73).
20. Remove two seal retainers (93), four lip seals (88A, 88B), two seal rings (98), and case gaskets (5) from each of the two endplates (20).
21. Remove drive shaft (72) and key (71) from case (1).
22. Remove idler shaft (73) and key (71) from case (1).
23. Remove drive gear (74) and idler gear (75) from case (1).
24. Visually inspect all parts. Replace all worn or damaged parts before reassembling pump. It is recommended that new gaskets (5, 93A, and 31) and all new seals (88A, 88B, and 32) be installed each time pump is disassembled and reassembled.

3.8 DIMENSIONAL DATA FOR INTERNAL PARTS

Nominal dimensions are given below. With the exception of gasket thickness and lateral clearance, your actual measurements should not vary from these numbers by no more than .002". Use properly calibrated measuring equipment when measuring parts.

| ITEM | PUMP SIZE | | |
|--|-----------|-------|-------|
| | 48 | 43 | 32 |
| Case Bores | 5.011 | 5.011 | 5.011 |
| Gear O.D. | 4.999 | 4.999 | 4.999 |
| Gear O.D. to Case Bore Dia. Clearance | 0.012 | 0.012 | 0.012 |
| Case Width | 7.501 | 6.301 | 4.691 |
| Gasket Thickness (one) | 0.006 | 0.006 | 0.006 |
| Compressed Gasket Thickness (three) | 0.013 | 0.013 | 0.013 |
| Gear Face Width | 7.499 | 6.299 | 4.689 |
| Lateral Clearance (three compressed gaskets) | 0.015 | 0.015 | 0.015 |

3.9 INSTRUCTIONS FOR PUMP ASSEMBLY

Refer to Section 3.10, **PUMP SECTIONAL DRAWING**.

Refer to Section 3.4, **DIRECTION OF ROTATION**, to assure proper configuration for pump rotation and port location prior to assembling pump.

1. Refer to Section 2.0 and read instructions on **REPLACEMENT PARTS, THREADED PORT CONNECTIONS, SHAFT SEALING, and SAFETY PRECAUTIONS** before assembling pump. Visually inspect all parts during assembly. Replace all worn or damaged parts. Although they may appear reusable, it is recommended that new gaskets (5, 93A, and 31) and lip seals (88A, 88B, and 32) be installed when pump is being reassembled.
 - **WARNING!** Only use genuine ROPER® gaskets. Gasket thickness determines proper clearances. Always check quantity of gaskets removed and replace with exact quantity. Proper material must be used based on application.

2. When cleaning or lubricating, only use products that are compatible with product being pumped and elastomers within pump.
3. Install key (71) in drive shaft (72) and slide drive shaft into drive gear (74) bore.
4. Install key (71) in idler shaft (73) and slide idler shaft into idler gear (75) bore.
5. Read and understand Section 3.4, **DIRECTION OF ROTATION AND RELIEF VALVES**. Using information from Section 3.4, determine position of case in relation to coupling end of drive shaft (72). Install drive gear/shaft and idler gear/shaft into proper positions in case (1).
6. Position appropriate number of case gaskets (5) on case (1) (oil or grease may be used to hold gaskets in place).
7. Liberally grease all four shaft surfaces.
8. **Gently** slide endplates into position over shafts and onto dowel pins (4).
9. Install and tighten eight hex head cap screws (22) in both endplates.
10. Slide one seal ring (98) over each of four shaft ends push to bottom of bores in endplates (20).
11. Pack inboard lip seal (88A) with grease and slide over shaft end with lip facing toward pump gears and press to bottom of endplate bore. **NOTE:** Twelve of the lip seals are dimensionally identical, however, the four inboard lip seals have one part number and the other eight lip seals (four middle and four outboard) have a different part number. Take care to install the four seals that have the same part number in the inboard position.
12. Repeat step 11 on other three shaft ends.

13. Pack middle lip seal (88B) with grease and slide over shaft end with lip facing toward pump gears and press into endplate bore. **NOTE:** Twelve of the lip seals are dimensionally identical, however, the four inboard lip seals have one part number and the other eight lip seals (four middle and four outboard) have a different part number. Take care to install the four seals that have the same part number in the inboard position.
14. Pack the seal retainer (98) with grease, slide over shaft end and push into endplate bore. **NOTE:** The entire face of the seal retainer must be supported by the tool used to push the seal retainer into the endplate bore.
15. Using the proper tool, press outer lip seal (88B) into seal bore of inner bearing housing (30C) with seal lip facing away from bearings (34) then pack seal lip with grease.
16. Place inner bearing housing gasket (93A) on face of inner bearing housing (30C), (oil or grease may be used to hold gaskets in place).
17. Slide inner bearing housing (30C) over shaft end and into position against endplate (20). Secure using two socket head cap screws (80). Repeat procedure to attach other three inner bearing housings.
18. Remove one set screw from each of eight ball bearings (34) and back out second set screw in each bearing so that set screw will clear shaft OD. Apply anti-seize compound to shaft OD and bearing OD.
19. With bearing set screws on outboard side of bearing, slide each inner ball bearing (34) onto shaft and into bearing housing. Look through bearing set-screw hole to position set screw directly over second groove from end of each shaft. Tighten first set screw of each bearing. Install second set screw in each of four inner ball bearings and tighten.
20. With bearing set screws on inboard side of bearing, slide each outer ball bearing (34) onto shaft. Look through bearing set-screw hole to position set screw directly over first groove from end of each shaft. Tighten first set screw of each bearing. Install second set screw in each of four outer ball bearings and tighten. Apply anti-seize compound to bearing OD.
21. Place outer bearing housing gasket (31) over bearings and against face of inner bearing housing (30C), (oil or grease may be used to hold gaskets in place).
22. Slide each of three blind outer bearing housings (30B) over shafts and bearing and install and tighten two hex head cap screws (94).
23. Press lip seal (32) in small bore of outer bearing housing (30A) with lip facing inward toward ball bearings (34). Apply small amount of grease to lip area.
24. Slide outer bearing housing (30A) over shaft and bearing and install and tighten two hex head cap screws (94).
25. On pumps equipped with a relief valve, continue with Steps 26 through 37..
26. Read and understand Section 3.4, **DIRECTION OF ROTATION AND RELIEF VALVES**. Using information from Section 3.4, determine position of relief valve in relation to coupling end of drive shaft. Install relief valve in proper position in case (1).
27. On proper side of case (1) install poppet/spring guide (46) making sure that angled side is against the relief valve seat.
28. Install spring (48A, 48B) making sure that spring is centered on poppet/spring guide (46).

29. Place pilot of poppet/spring guide (46) into I.D. of spring (48A, 48B).
30. Screw adjusting screw (53) with lock and seal nut (52) assembled into hole in relief valve cap (51A).
31. Replace o-ring (50) on relief valve cap (51A).
32. Place small end of adjusting screw (53) in hole in spring guide (46) and secure relief valve cap to case (1) using three hex head cap screws (55).
33. Check Direction of Rotation Tag on relief valve cap (51A) to make sure inlet and discharge ports are in desired location. If ports are not in desired location, return to **DIRECTION OF ROTATION FOR THE RELIEF VALVE** (page 3-4).
34. Install blind relief valve cap (51B) and o-ring (50) to the opposite side of case and secure with three hex head cap screws (55).
35. Adjust relief valve by following steps in section on how to **ADJUST THE RELIEF VALVE**.
36. Install drive key (70).
37. Refer to Section 2.0 and read sections on **ADDITIONAL IMPORTANT WARNINGS AND INFORMATION, THREADED PORT CONNECTIONS, INSTALLATION OF PIPES, PREOPERATION CHECKS, SHAFT SEALING, AND ALIGNING DRIVER AND PUMP** before installing and operating pump.

3.10 PUMP SECTIONAL DRAWING

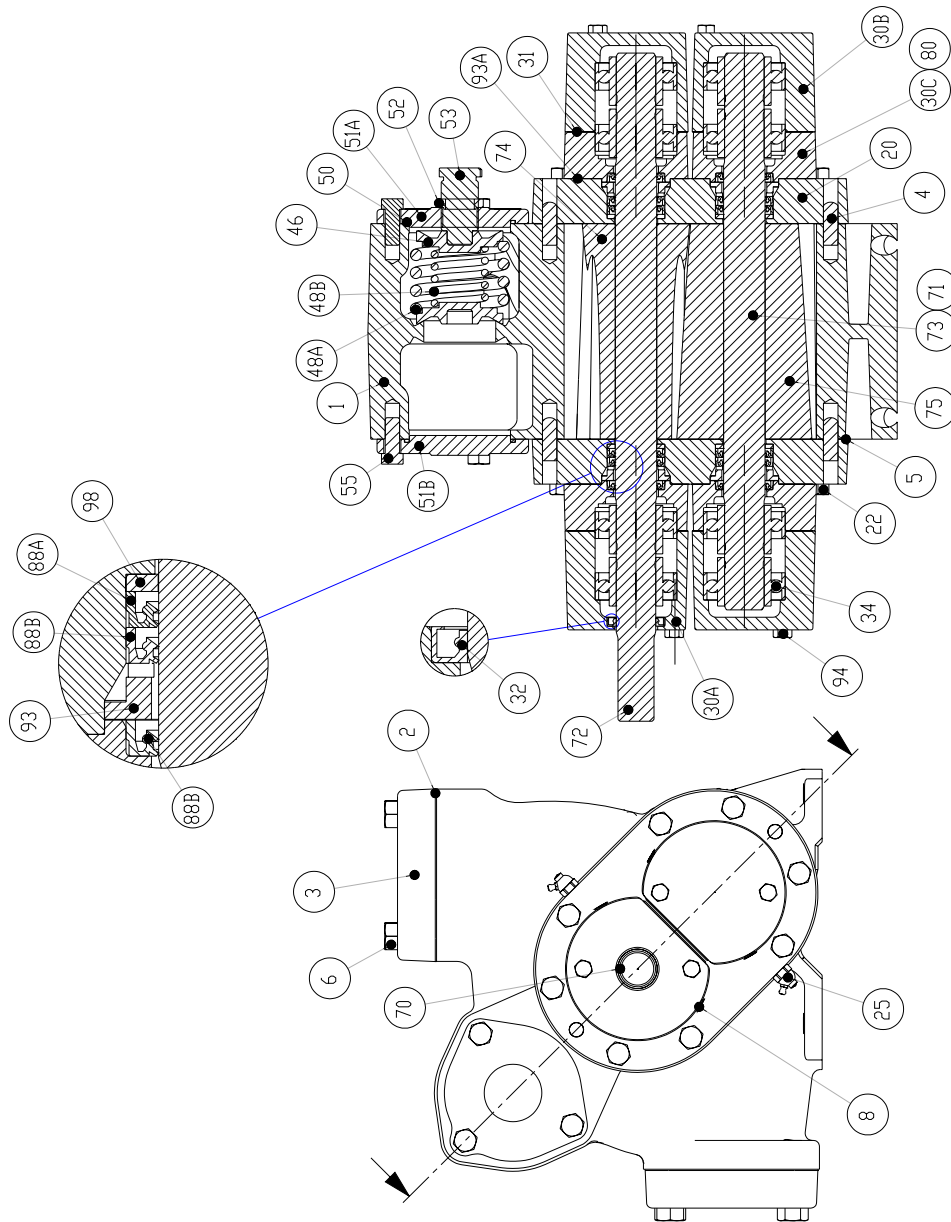


FIGURE 3.10.1



3.11 PARTS LIST

- | | |
|---|----------------------------------|
| 1. Case/WARN Plate Assembly | 51A. RV Cover Assembly |
| 2. Gasket, Flange | 51B. RV Cover |
| 3. Flange | 52. RV Seal Nut |
| 4. Dowel Pin | 53. RV Adjusting Screw |
| 5. Case Gasket | 55. Hex Head Cap Screw |
| 6. Hex Head Cap Screw | 70. Key |
| 8. Plug | 71. Key |
| 20. Endplate | 72. Drive Shaft |
| 22. Hex Head Cap Screw | 73. Idler Shaft |
| 25. Lube Fitting w/ RV | 74. Drive Gear |
| 30A. Coupling End Outer Bearing Housing | 75. Idler Gear |
| 30B. Outer Bearing Housing | 80. Socket Head Cap Screw |
| 30C. Inner Bearing Housing | 88A.Lip Seal |
| 31. Outer Bearing Housing Gasket | 88B.Lip Seal |
| 32. Lip Seal | 93. Seal Retainer |
| 34. Ball Bearing | 93A.Inner Bearing Housing Gasket |
| 46. RV Poppet | 94. Hex Head Cap Screw |
| 48A. RV Spring | 98. Seal Ring |
| 48B. RV Spring | |
| 50. O-ring | |



3.12 COMMON MAINTENANCE QUESTIONS

Question:

At what point do I need to overhaul my pump?

Answer:

As with all rotating equipment, your pump will eventually wear to a point where the pump's performance is diminished. The pump's performance is dependent upon the application. For instance, a very worn pump may work at an acceptable level in an application involving a high viscosity (thick) liquid when combined with low discharge pressure. This same pump would most likely be unsatisfactory in a low viscosity, high pressure application. The best answer to the above question is the following: You need to overhaul your pump when you feel that the performance has dropped to an unacceptable level for your application.

If you have set up your own test procedure to check your used pumps, it will be helpful to test at least one new pump of each size to use as a benchmark for setting your own acceptance levels.

Question:

What parts will I need to replace to get my pump back to "like-new" condition?

Answer:

As a general rule, replace all gaskets, o-rings, and lip seals at each servicing regardless of their apparent condition. These parts are usually less expensive than the labor costs and downtime incurred if the pump has to be serviced a second time to stop a leak.

The parts subject to wear should be examined for obvious wear and corrosion. This includes bearings, shafts, gears, cases, and endplates. Measurements should be made and compared to the dimensions shown in Section 3.8. Replace any parts that are worn beyond the limit shown.

If the pump is used exclusively in an abrasive application or high viscosity application, you may be able to extend the life of the gears or case. If the gears show heavy wear on only one side of the tooth, very little wear on the ends and O.D., the gears can be turned over, end-for-end, in the pump. This will put the previously unworn sides of the gear teeth in contact. Similarly, if your pump has a case with straight through ports and it is worn on the inlet side only, the case can be turned around and used again.

Question:

What do I look for to determine excessive wear?

• **Gears**

The gears are serviceable if there is no degradation of the teeth or end faces. Check for uniform wear. There should be no burrs or gouges on any of the gear's surfaces.

• **Bearings**

If bearing or bearing seals are worn or damaged, they should be replaced.

• **Cases**

Excessive case wear is usually the result of worn bearings or shafts allowing gears to contact the case bores. Minor rubbing of the case bore is normal.

• **Shafts**

Replace the shaft if it is scored in the seal or bearing area.

• **Endplates**

Excessive wear is usually the result of pumping products containing abrasives. If the endplates are damaged in the area that the ends of gears rub, they should be replaced.

Question:

Do I need special tools to disassemble and reassemble my pump?

Answer:

The only special tools required are for removal of the bearings.

Question:

How long can my pump run dry?

Answer:

One minute is a practical maximum for running a pump dry. Anything longer could cause the pump to overheat resulting in possible pump damage or failure.

Question:

At what point should I buy a new pump?

Answer:

A new pump should be purchased when the old pump cannot be economically repaired.

Question:

Are there service centers where I can get my pump repaired?

Answer:

Most Roper Pump Company distributors are able to repair pumps. Consult the factory to find your nearest distributor. Also, Roper Pump Company has a repair department. Any pump repaired at the factory is rebuilt to like-new condition and carries a new pump warranty. Pumps may be returned to the factory by an authorized ROPER® pump distributor.

3.13 INDEX

A

Assembly

Instructions for Standard Drive Pump Assembly, 3 - 18 through 3 - 20

C

Conversions

High Drive to Low Drive, 3 - 11 through 3 - 15

D

Dimensional Data, 3 - 18

Disassembly, 3 - 16 through 3 - 17

Draining Pump, 3 - 16

Drawings

Sectional Drawing, 3 - 21

M

Maintenance Questions, 3 - 23 through 3 - 24

R

Rotation

Direction of Rotation and Relief Valves, 3 – 2 through 3 - 6

T

Tools, 3 – 1



Additional copies of the installation and operation manual may be obtained by contacting a Roper Pump Company distributor or:

Roper Pump Company
PO Box 269
Commerce, Georgia 30529 USA

Telephone: (706) 335-5551
TeleFAX: (706) 335-5490
Email: sales@roperpump.com
Web: www.roperpumps.com

Your Roper Pump Company distributor is:

PART NO. G12-415